



Download & Connect



App Store



Google Play

 bObsweep

# ORB.i

OWNER'S MANUAL



ORB-i™

OWNER'S MANUAL

Model PET24-7-313  
Version 2024.a



# Congratulations!

Congratulations on your new intelligent floor cleaner! Orb-i is now at your service. To see Orb-i at his best, please read the Quick Start Guide and this manual thoroughly.

Welcome to the bObsweep family and Happy Sweeping!

If you have any questions or concerns, feel free to contact our helpful support team at [support@bobsweep.com](mailto:support@bobsweep.com) or 1-888-549-8847.

Business Hours: Monday – Friday, 9 a.m. – 5 p.m. Pacific Time.

# Table of Contents

**1** General  
Safety Instructions  
Declaration of Conformity  
Warranty  
Contact Us

**3** Box Contents

**4** Anatomy  
Orb-i  
Screen & Buttons  
Charging Station  
Dustbin

**8** Getting Started  
Who is Orb-i?  
Navigating Difficult Obstacles

**10** Orb-i's First Clean  
Install Side Brush  
Power Orb-i ON  
Set up Charging Station  
Charge Orb-i  
Download the bObsweep App  
Let Orb-i Sweep

**17** Maintenance  
Dust bag  
Charging Station  
Dustbin  
Filters  
Brushes  
Sensors  
Front Wheel  
Battery

**25** Troubleshooting  
Trouble messages  
Home Checkup Test

**27** FAQs

**29** Manuel  
D'utilisation  
Franciase

**63** End User  
License  
Agreement

# Important Safety Instructions

- Orb-i is not intended for use by persons (including children) with reduced physical or mental capabilities, or lack of experience and knowledge, unless under the close supervision of a person responsible for their safety.
- Orb-i is composed of electronic components that in rare and unintended cases can cause hazards of heating, fire, and other malfunctions. And, because Orb-i is capable of autonomous movement, his use poses the risk of collision with property, pets, and persons. Unintended removal of articles — such as small valuables, jewelry, or hair of persons or pets lying on the floor — may also occur.
- Orb-i is not a toy. Small children and pets should be supervised when Orb-i is operating.
- Be aware that Orb-i moves on its own. Take care when walking in the area that Orb-i is operating in to avoid stepping on it or tripping over it.
- If Orb-i or his charging station has been damaged in any way, do not operate them. Contact our support team for further assistance.
- Do not let Orb-i drop. The impact from a drop can damage the SLAM LiDAR.
- Do not use Orb-i outdoors. And, do not store Orb-i in a car.
- Do not expose Orb-i or his charging station to temperatures higher than 113° F (45° C), moisture, or humidity.
- Store and operate in room temperature environments only.
- Only use Orb-i with a 110-120v electric plug. Do not use with a voltage converter or transformer. Note: Using Orb-i with a power converter will immediately void the warranty. Use of Orb-i outside of the country where it was initially purchased voids the warranty.
- Orb-i comes with a North American region approved power supply cord and is designed to be plugged into a standard household AC power outlet only. Do not use any other power supply cord or power strip.
- Do not use unauthorized cords or chargers. Use of an unauthorized charger could cause the battery to generate heat, smoke, catch fire, or explode.
- Risk of electric shock, use indoors in dry location only. Do not handle Orb-i or his charging station with wet hands; use only on dry surfaces. Do not use a broken or damaged power inlet/wire.
- The charging station may be protected with a surge protector in the event of electrical storms or fluctuations.
- Do not pull or carry the charging station by the cord, close a door on the cord, or pull the cord around sharp edges or corners. Keep the cord away from heated surfaces. To unplug the cord, grasp the plug, not the cord.
- Power Orb-i OFF and remove him from a power source when you are not using him and before conducting maintenance.
- Do not open or handle Orb-i's charging station when plugged into the wall. Unplug first.
- Periodically inspect the battery pack for any sign of damage or leakage. Do not charge damaged or leaking battery packs. Leaks from the battery cells can occur under extreme usage or temperature conditions. If the liquid gets on the skin, wash quickly with water. If the liquid gets into the eyes, flush them immediately with clean water for a minimum of 10 minutes, and seek immediate medical attention.
- Do not mutilate or incinerate the battery, as it will explode at high temperatures.
- Do not short-circuit the battery by allowing metal objects to contact battery terminals or immerse in liquid. Do not subject batteries to mechanical shock.
- Do not dispose of your battery in fire. Old batteries should be recycled safely through your local recycler.
- If the floor contains stairs, place physical barriers to block off Orb-i and prevent access to the stairs and ensure safe operation.
- If the floor contains a balcony, place physical barriers to block off Orb-i and prevent access to the balcony and ensure safe operation.
- If the floor contains equipment, such as a stove, fan, space heater, or humidifier, remove the equipment before operation. There is a risk of injury, accident or malfunction if Orb-i comes in contact and pushes the equipment.
- If Orb-i passes over a power cord and drags it, there is a chance an object could be pulled off a table or shelf. Before using this device, pick up objects like clothing, loose papers, pull cords for blinds or curtains, power cords, and any fragile objects. Extinguish candles. Shut off space heaters.
- Do not use Orb-i to pick up sharp objects, glass, or anything that is burning or smoking such as cigarettes, matches, or hot ashes.
- Do not operate Orb-i in areas with exposed electrical outlets on the floor.
- With the exception of the wet mop attachment, do not immerse any part of Orb-i into water or other liquids. Do not use Orb-i to pick up spills. Do not allow Orb-i or his station to become wet.
- Do not look directly into the rotating transmitting part (laser) of the SLAM LiDAR.
- For your safety, do not insert tools, fingers, or other items into the rotating part of the SLAM LiDAR.
- Do not use without dust bag and/or filters in place.
- Do not attempt to disassemble or open the charging station other than instructed in this Owner's Manual. Repairs on the station should only be carried out by our qualified technicians.
- Do not expose Orb-i's SLAM LiDAR to direct sunlight or infrared light.
- Perform the required maintenance per the Owner's Manual to ensure safe operation of the robot and dock.

# Declaration of Conformity

This device complies with Part 15 of the FCC rules. Operation is subject to the following two conditions: (1) this device may not cause harmful interference, and (2) this device must accept any interference received, including interference that may cause undesired operation. The manufacturer is not responsible for any radio or TV interference caused by unauthorized modifications or changes to this equipment. Such modifications or changes could void the user's authority to operate the equipment.

This equipment has been tested and found to comply with the limits for a Class B digital device, pursuant to part 15 of the FCC Rules. These limits are designed to provide reasonable protection against harmful interference in a residential installation. This equipment generates, uses, and can radiate radio frequency energy and, if not installed and used in accordance with the instructions, may cause harmful interference to radio communications. However, there is no guarantee that interference will not occur in a particular installation. If this equipment does cause harmful interference to radio or television reception, which can be determined by turning the equipment off and on, the user is encouraged to try to correct the interference by one or more of the following measures:

- Reorient or relocate the receiving antenna.
- Increase the separation between the equipment and receiver.
- Connect the equipment to an outlet on a circuit different from that to which the receiver is connected.
- Consult the dealer or an experienced radio/TV technician for help.

# Warranty

Every Orb-i purchased from an authorized seller comes with our warranty coverage:

- 2-Year Standard Warranty
- 5-Year Subsidized Repair Plan
- Lifetime of Customer Service

To claim your warranty, register your bot at

[www.bobsweep.com/warranties](http://www.bobsweep.com/warranties).

# Contact Us

If you have any questions or concerns, please contact our helpful support team at

[support@bobsweep.com](mailto:support@bobsweep.com) or 1-888-549-8847.

Hours: Monday – Friday, 9 a.m. – 5 p.m. Pacific Time.

Additional troubleshooting information and how-to guides can be found on the bObsweep app and at

[www.bobsweep.com/orbi-support](http://www.bobsweep.com/orbi-support).



Orb-i™



Self-empty  
Charging Station



Charging Bed



Cleaning Tool



Side Brush (2)

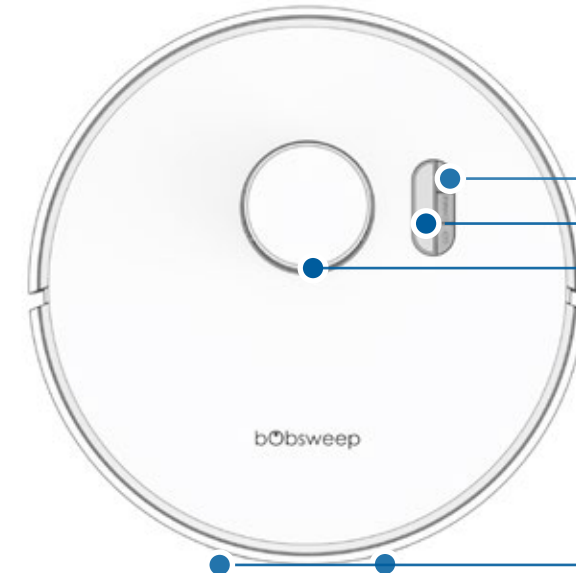


Filter



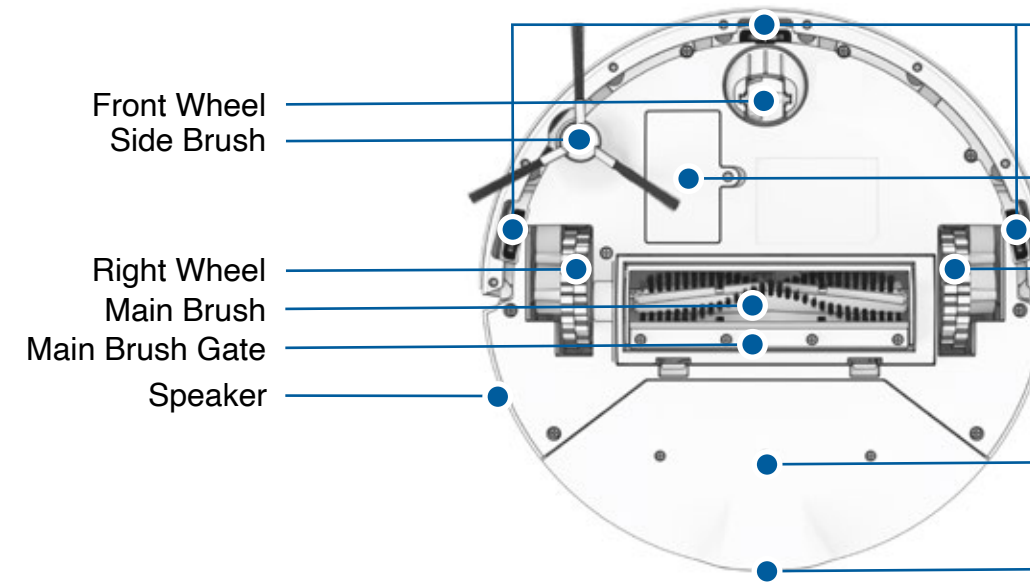
Dust Bag

## Orb-i



Buttons  
Display Screen  
SLAM LiDAR

Charging Plates



Front Wheel  
Side Brush

Right Wheel  
Main Brush  
Main Brush Gate  
Speaker

Edge Sensors

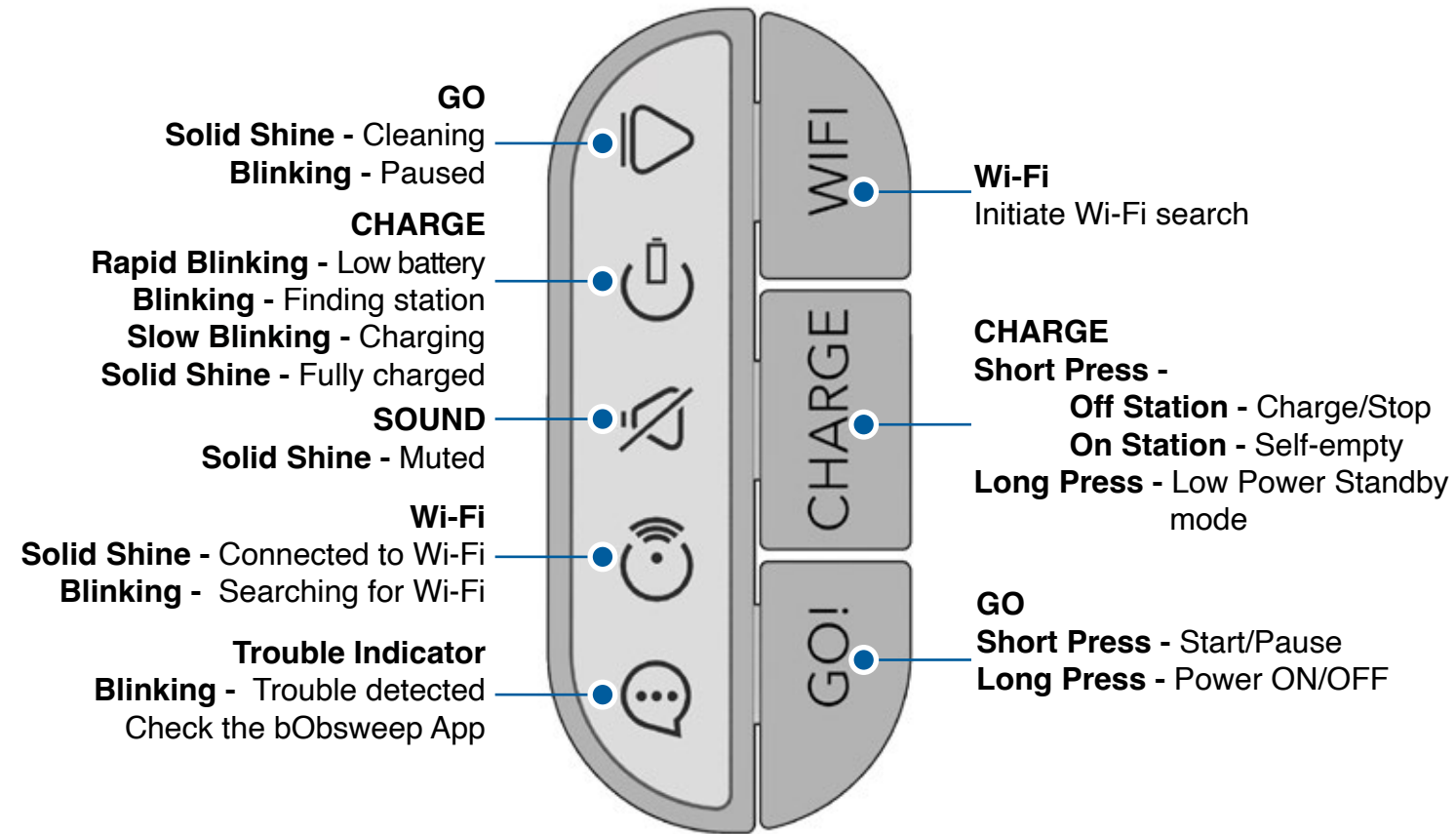
Battery

Left Wheel

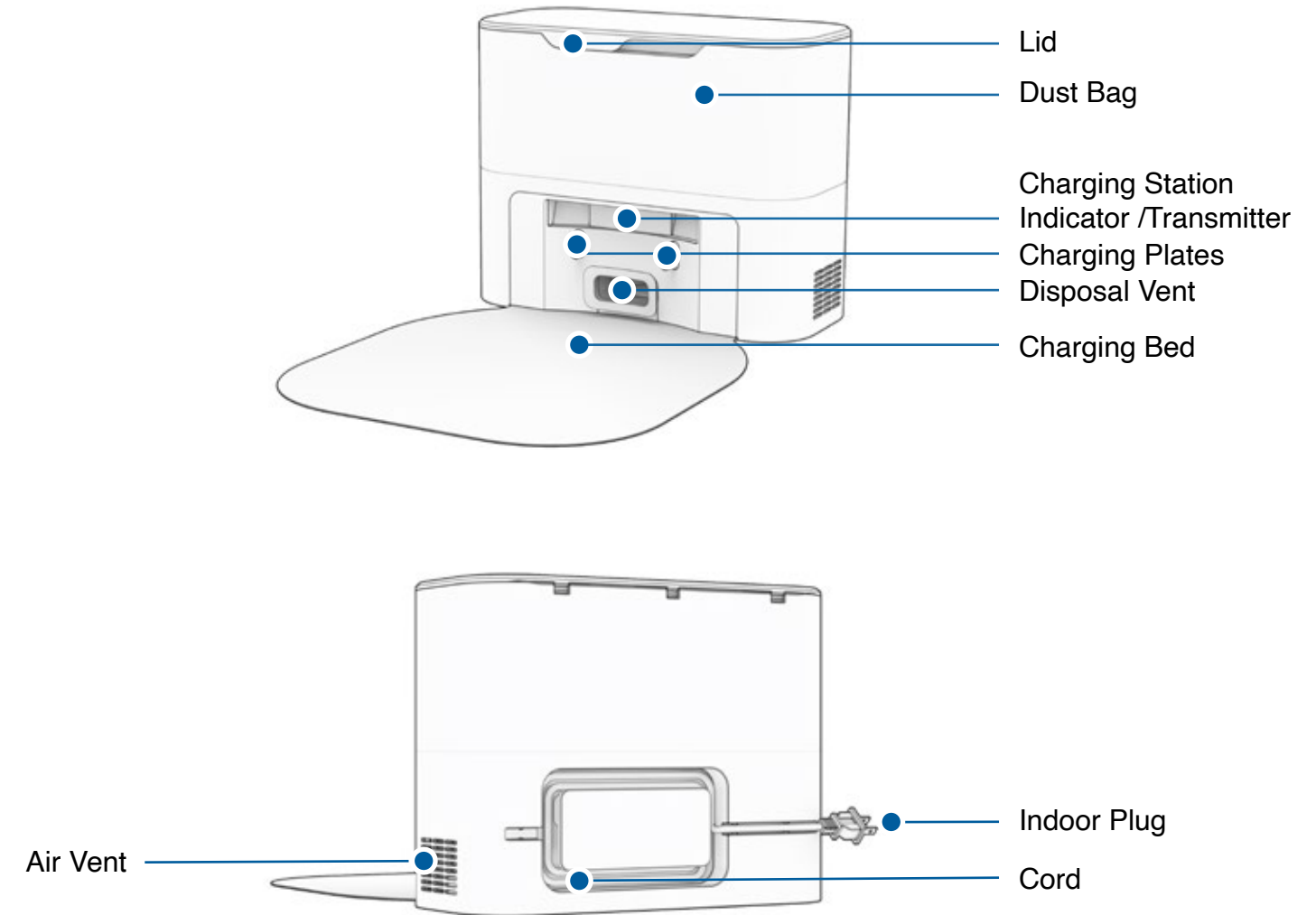
Dustbin

Disposal Vent  
Aperture

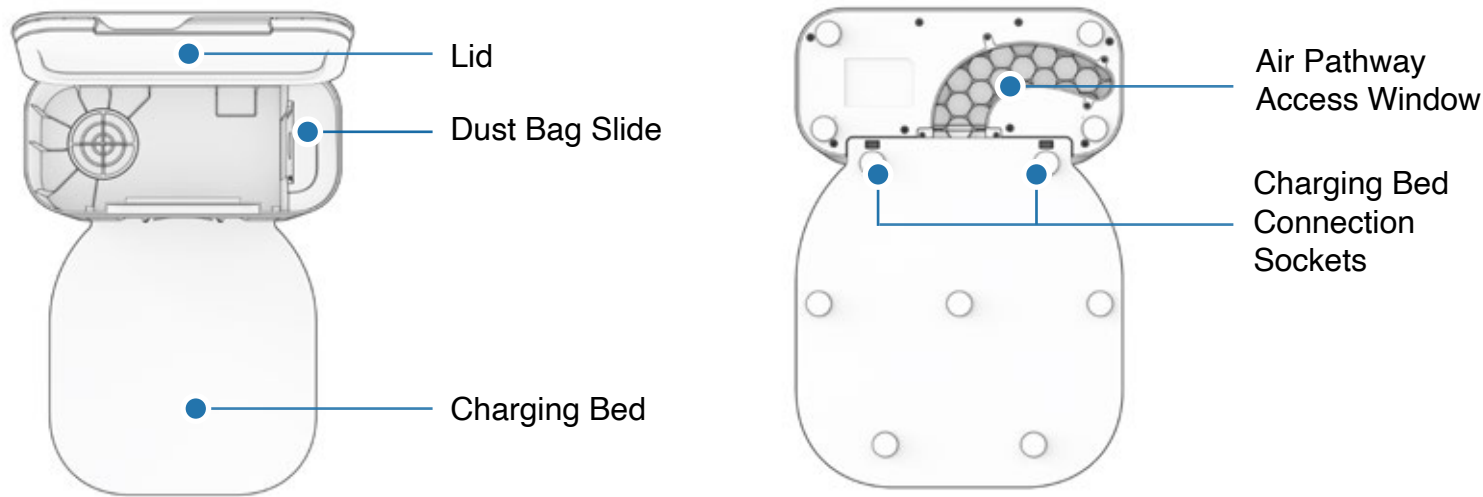
## Display Screen & Buttons



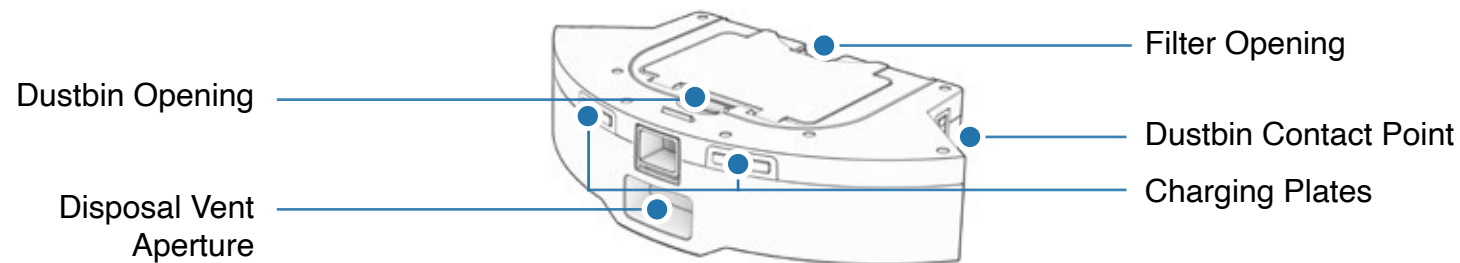
## Self-empty Charging Station



## Self-empty Charging Station



## Dustbin



## Who is Orb-i?

Orb-i is an autonomous robotic vacuum cleaner, at your service! Connect Orb-i to Wi-Fi and use the bObsweep app to create a customized cleaning plan. Orb-i will clean your home, your way.

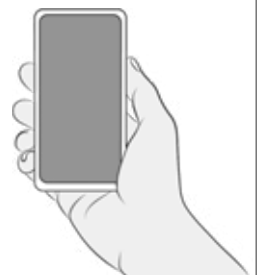
## How does Orb-i find his way around?

Orb-i uses laser vision, a network of sensors, and a state-of-the-art mapping and localizing technology to detect walls, furniture, and obstacles.

As Orb-i cleans, he simultaneously creates a map of the areas he is able to access and clean. Areas where furniture and small items are found are marked on the map. View the map by clicking the Map Icon on the bObsweep App, and customize it as desired. Using the map, and the app's customization criteria, Orb-i efficiently cleans your home over the course of a full cycle.

After cleaning, Orb-i returns to his station and empties his dustbin into his Charging Station's container. Forget about vacuuming and enjoy clean floors for weeks!

Learn about Orb-i's mapping and other features using his how-to videos and instructions:





## Navigating Difficult Obstacles

### Unique Furniture

Specialty furniture, such as desk chairs with wheels or stools with circular bases, may confuse Orb-i momentarily; he may get stuck on a ledge for a few minutes, and then decide to clean somewhere else. As long as Orb-i is not displaying a trouble message, let him continue cleaning and finding his own way around. Take note of the areas that Orb-i finds most challenging, and, if possible, adjust furniture, or add NoSweep™ zones.

### Dark-Colored Carpet

If Orb-i repeatedly backs up or displays a trouble message while cleaning dark carpets, deactivate the edge sensors. To deactivate them, open the bObsweep app and disable “edge detection” under Cleaning Preferences in Settings ⚙️. Just remember that while Orb-i’s edge sensors are deactivated, **he will not be able to detect edges or stairs** and will fall off the edge if he gets close to one! Add a NoSweep line where the edge or stairs are to keep Orb-i safe.

### Shag Carpet

Orb-i’s main brush is not designed to clean shag carpets or rugs with long fibers and fringes. If you’d like Orb-i to clean shag carpet or long-fibered rugs, you may remove his main brush and allow him to vacuum without it.

## Install Orb-i’s Side Brush

Install Orb-i’s side brush to help him reach the corners and edges of rooms.

Parts You’ll Need:

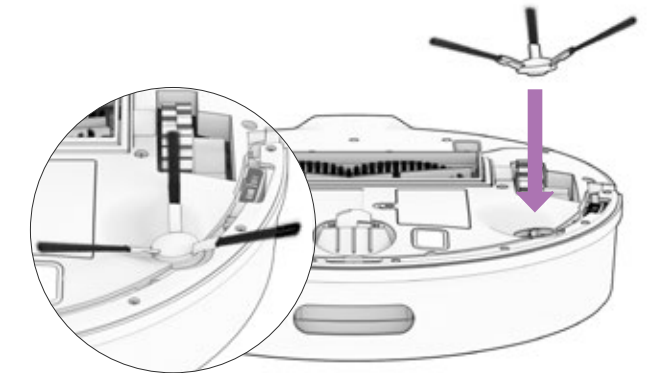


### Before Starting Orb-i

Remove protective pieces from Orb-i, his bumper, and charging station.



Place the side brush over the empty socket on Orb-i. Press down to click and lock in place.

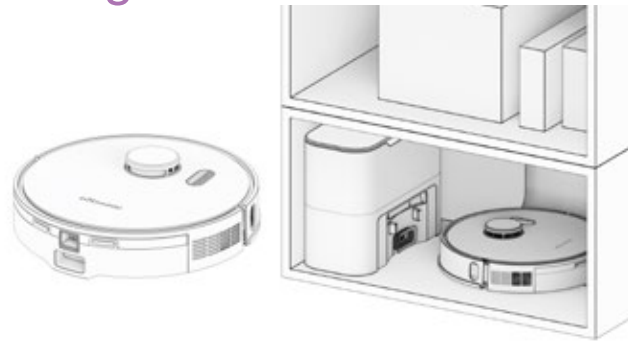


**Important Note:** The strength of side brush’s connection can be increased by slightly rotating the screw in the center of the side brush socket counter-clockwise.

## Power Orb-i ON

Press and hold the GO button until the screen lights up.

### Storing Orb-i



If you are not using Orb-i for an extended period of time (over a month), power him OFF, remove his battery, and unplug his charging station. Store everything in a dry room, away from direct sunlight or extreme temperature.

If you are not going to use Orb-i for a while, you can place him on Low Power Standby mode (LPS mode). To do so, place Orb-i on his charging station. Press and hold the CHARGE button on Orb-i for 5 seconds. You'll hear "low power mode", confirming Orb-i is in LPS mode. To exit this mode, press GO on Orb-i while he's on the charging station, or remove him from the station.



**Important Note:** In this mode, Orb-i is offline and the bObsweep App is not able to connect to Orb-i. Furthermore, any scheduled cleaning will be paused.

## Set up Orb-i's Self-empty Charging Station

Bright sunlight, shiny surfaces, and reflective objects can interfere with Orb-i's docking signals. Set up Orb-i's station away from uncovered windows, mirrors, and shiny furniture or objects.

### Parts You'll Need:



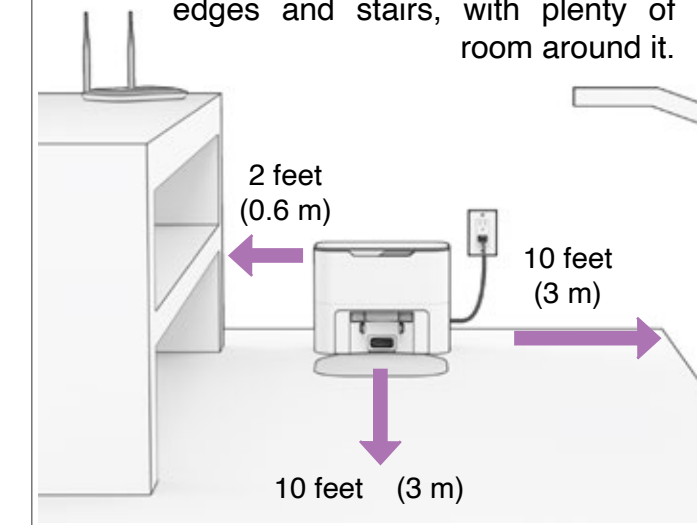
Self-empty Charging Station



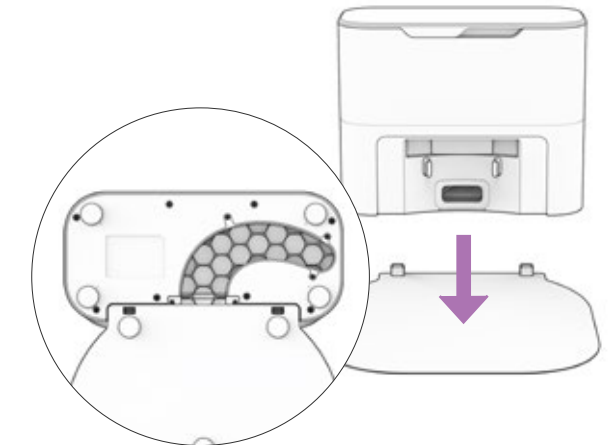
Charging bed

### Positioning

Orb-i returns to his charging station after cleaning. To help Orb-i, place the charging station on a hard, flat surface, away from edges and stairs, with plenty of room around it.



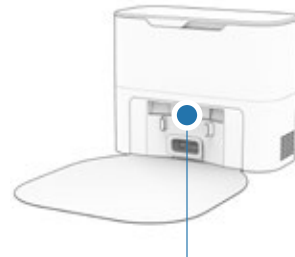
Place the charging station over the sockets on the charging bed. Place down to hold into place.



**Quick Tips:** The sockets on the charging bed fit into the charging station on its front.

## Self-empty Charging Station Indicator

When Orb-i finishes docking on his charging station, and there is no station error, the indicator light on the station turns off.



Light Status	Station Status	What to do
● Off	Powered OFF	Plug into the outlet.
● Solid Blue	Ready	Station is ready for Orb-i to charge / self-empty.
● Solid Red	Dust Bag not detected / Dust Bag's opening is closed.	Insert Dust Bag into the slide and push the tab all the way down to open and line up with the air pathway.
● Blinking Red	Congestion in air pathway.	<ul style="list-style-type: none"> <li>Remove and open the dustbin to clean and remove heavy congestion.</li> <li>Clean the Disposal Vent Aperture on the back of the dustbin. Check the flap for free movement.</li> <li>Place Orb-i on the station and press 'Charge' to initiate a self-empty.</li> </ul> If the airpathway does not clear: <ul style="list-style-type: none"> <li>Unplug the station, turn the station around to open the Air Pathway Access Window and remove any congestion from the air pathway.</li> <li>Place Orb-i on the station again and press 'Charge' to initiate a self-empty.</li> </ul>

## Charge Orb-i

Press the CHARGE button on Orb-i to send him to his charging station.

Parts You'll Need:

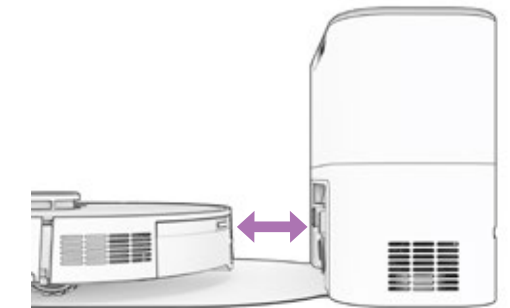


Self-empty Charging Station

## Charging Indicator

**Low Battery:** 🌙 blinks rapidly.  
**Finding Station:** 🌙 blinks.  
**Charging:** 🌙 blinks slowly.  
**Fully Charged:** 🌙 shines white.

To charge Orb-i manually, place him on his charging bed with the metal nodes on his back resting against the plates on the station.



**Quick Tip:** Orb-i empties his bin each time he docks at the end of a cleaning session. You can define how often Orb-i self-empties under "Cleaning Preferences" on the bObsweep App.

## Download the bObsweep App

Connect Orb-i to Wi-Fi to gain access to Orb-i's full suite of features and important software updates. Download and open the bObsweep App, create your account, and follow the instructions on the app to connect your bot to Wi-Fi, Amazon Alexa or Google Home devices.

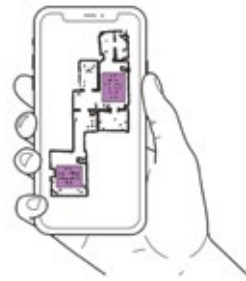
### Items You'll Need:



Smart Phone



2.4GHz Wi-Fi Connection

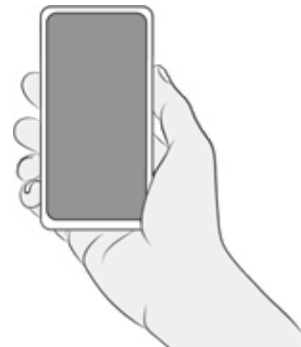


Orb-i maps the area at first glance. Use **Swift Map™** to send Orb-i on a 'map only' journey, or hit **GO** to send Orb-i to map while cleaning. Toggle **ON Auto-resume™** to activate Orb-i's back-to-back cleaning feature. Last but not least, edit, personalize, customize, and save Orb-i's cleaning map, then set cleaning schedules and enjoy fresh floors without having to lift a finger for several weeks at a time.

### Quick Tips: To keep Orb-i up-to-date:

Check the App Store/Google Play Store and update the bObsweep app to access the latest features released on the app.

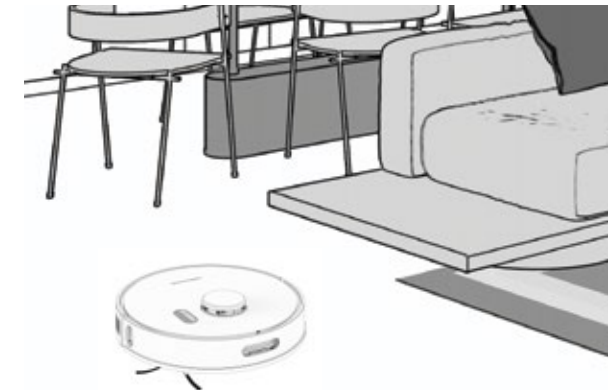
Check the Bot Settings page on the bObsweep app and update Orb-i's software to access the latest version of Orb-i's operating system.



## Let Orb-i Sweep!

Orb-i is now ready to sweep! Clear away any clutter or wires and press the GO button.

### Lifting & Moving



Do not pick Orb-i up while cleaning to avoid distorting his map.

It's best not to change the location of Orb-i's charging station after he's done mapping the house.

Equipped with Room-to-Room™ cleaning technology, Orb-i automatically explores and cleans your home, avoiding furniture and obstacles along his path. For best results, remove clutter and small objects.



## For Best Performance

To maximize Orb-i's efficiency, it is best to keep his brushes, filters, and sensors clean.

Part	Maintenance Frequency	Replacement Frequency
Charging Station	Monthly	
Dustbin	Monthly	
Filter	Monthly	Every 6 months
Brushes	Weekly	Every 12 months
Sensors	Weekly	
Front Wheel	Weekly	
Battery		Every 24 to 36 months

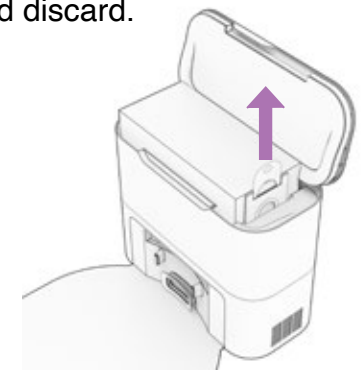
**Quick Tips:** Clear debris out of nooks and crannies around the brushes and wheels.  
 Use tweezers to remove congestion from the brush ends and main and side brush compartments on Orb-i.  
 Use scissors or the included cleaning tool to cut hair wrapped around the brushes.

## Dust Bag

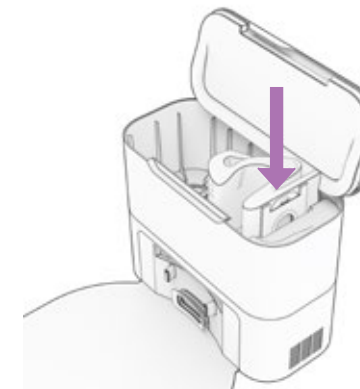
1. Open the lid.



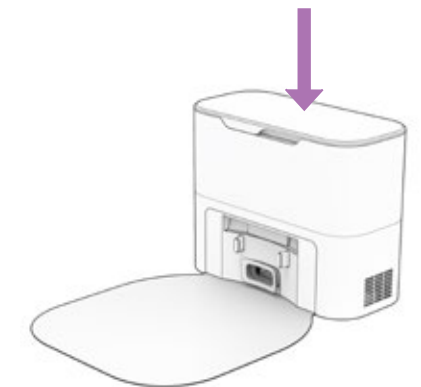
2. Pull up the tab to close the dust bag's opening. Lift to remove the full dust bag and discard.



3. Place the new dust bag, sliding the card into place completely. Slide the opening tab all the way down.



4. Close the lid.



## Self-empty Charging Station

Before cleaning the charging station, unplug it.

1. Wipe the charging nodes (contact points).



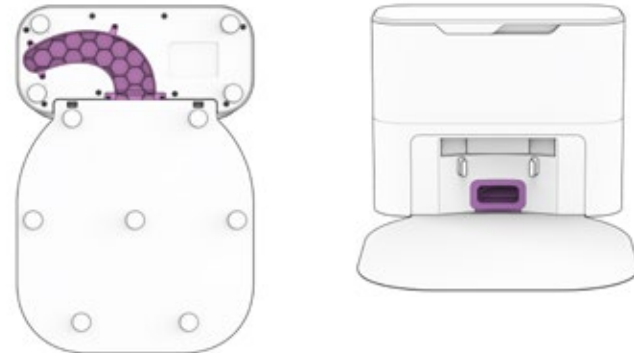
2. Wipe the transmitter window clean, making sure it is not blocked or covered.



3. Remove the dustbag and clean the dustbag container from debris buildups or any blockage for free flow of air.

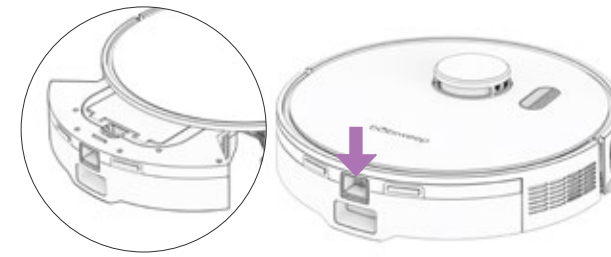


4. Unplug the station. Inspect the disposal vent and air pathway. Clean and remove any congestion.



## Dustbin

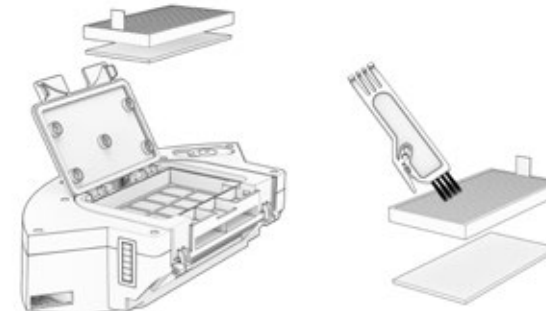
1. Press down the tab to remove the dustbin.



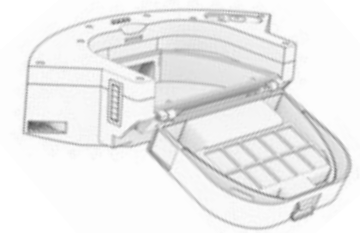
2. Open the dustbin and dump its contents.



3. Open the filter container and remove debris. Remove and dust the filter.

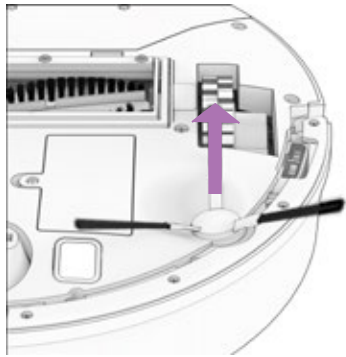


4. Wipe clean or wash the dust container. Make sure it's dry before putting it back together.



## Brushes

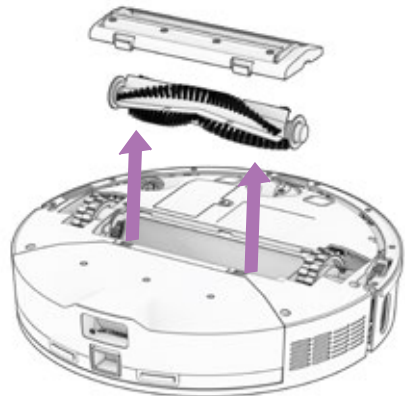
1. Pull up to remove the side brush.



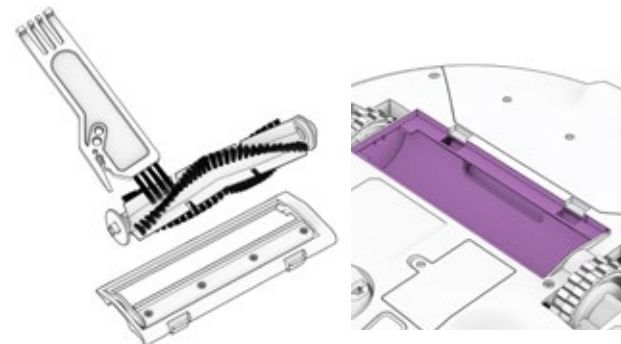
2. Remove debris from the side brush and its socket.



3. Pinch the tabs on the main brush gate and lift.



4. Clean the main brush and all its components, including the brush gate and brush compartment.



## Sensors

Use a soft cotton cloth to wipe the sensors.

1. Wipe the edge and wall sensors.



2. Wipe the charging nodes on Orb-i and his station.



3. Wipe the metal connectors on the dustbin.



4. Wipe the top and the area around the SLAM LiDAR.



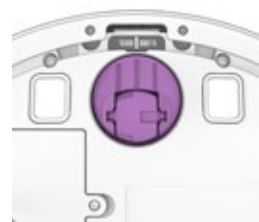
**Important Note:** Orb-i's SLAM LiDAR is a sensitive sensor. Do not apply force, insert objects, or adjust the SLAM LiDAR. Do not sit on Orb-i or place items on top of him.

## Front Wheel

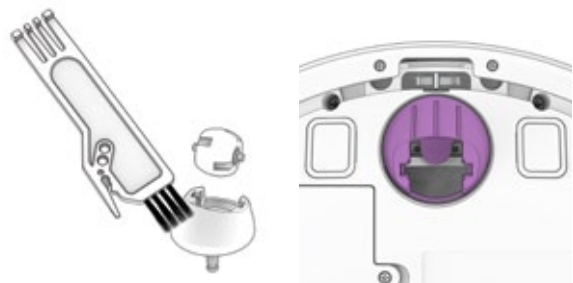
1. Using a flat head screwdriver for leverage, grip the wheel firmly and pull.



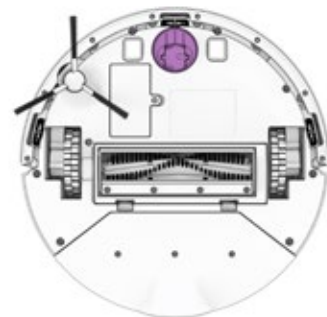
2. Once the wheel is removed, use the screwdriver to pry out the wheel assembly.



3. Clean the wheel and all its components, including the assembly and wheel socket.



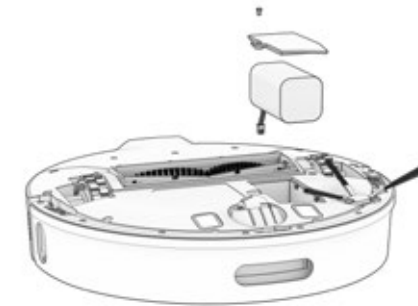
4. Replace both parts when done. Push down to lock them into place.



## Battery

Power OFF Orb-i before replacing the battery. Press and hold the GO button.

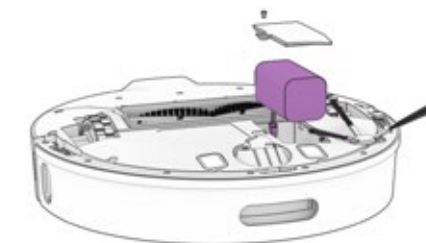
1. Use a Phillips head screwdriver to open the battery compartment.



2. Unplug the old battery and plug in your new one.



3. Slide the new battery into Orb-i.



**Important Note:** High power mode exponentially increases Orb-i's battery use. Use low power mode to reduce power usage on Orb-i.



# Troubleshooting

Whenever Orb-i runs into trouble, he will stop and his trouble indicator will blink. Check the bObsweep app for trouble details.

Trouble	Solution
Battery	Low or disconnected battery. Check connection. Reset, and charge Orb-i.
Left/Right Wheel	Left/Right wheel is jammed. Check for obstruction and clean.
Main Brush	Main brush is jammed. Remove and clean.
Side Brush	Side brush is jammed. Remove and clean.
Dustbin	Dustbin is disconnected or contact points are dirty. Clean contact points and reinsert. Or, the vacuum Motor is jammed. Check for obstruction and clean.
Edge Sensors	Orb-i is stuck near a cliff, is off ground, or the edge sensors are dirty. Move Orb-i to safety, and clean the edge sensors.
Bumper	Bumper is dirty or jammed. Wipe around the bumper; remove any obstruction.
LiDAR Bumper	SLAM LiDAR's bumper is jammed. Check for obstruction and clean.
LiDAR	SLAM LiDAR is not clean/lost visibility. Clean the SLAM LiDAR and move Orb-i away from mirrors/metallic surfaces/walls and to the center of the room.
Charging Station	Can't locate the charging station. Replug the charging station and charge Orb-i.
User Interface	Orb-i's UI/USB port is not responding. Reset Orb-i & ensure the USB port is empty.
Electronic	Electronic component error. Reset Orb-i (Power OFF and back ON).
Stuck	Orb-i is stuck. Clear away obstacles/clutter/wires & reset Orb-i.
Navigation	Orb-i is not able to navigate. Clear away any clutter/wires & reset Orb-i.
Localization	Orb-i can't self locate on map. Check map accuracy/erase map for remapping.
Settings	Current room settings don't match Orb-i's. Change map settings/schedules.

# Home Checkup Test

If Orb-i is not performing as well as he should, you can diagnose the problem with a simple home checkup test.

## Putting Orb-i in/out of Checkup mode

### To put Orb-i in Checkup mode:

Press and hold the "GO" "CHARGE" and "WI-FI" buttons simultaneously for a few seconds until the bot says: "Home Checkup Mode Activated". In this mode, Orb-i's LiDAR sensor rotates.

### To exit the Checkup mode:

Press the "GO" "CHARGE" and "WI-FI" buttons together again. You'll hear "Exiting Home Checkup Mode" and Orb-i's LiDAR sensor stops rotating.

### Important Notes:

- During the test, if Orb-i's left idle for over a minute, he'll automatically exit the Home Checkup Test.
- To move among Steps in the Checkup test, press the Wi-Fi button.
- To start / stop the tests in each Step, press the GO button until you hear "Begin Test" and "Stop Test". Always stop a test before moving to the next step.

Step	Part(s) Tested	Description
1	Battery	After a full charge, test Orb-i's battery.
2	Edge Sensors	Test edge sensors individually.
3	Charging Station	Test charging sensors individually.
4	Bumpers and Wi-Fi	Test the Wi-Fi module & touch sensors.
5	Motors (wheels, brushes, vacuum)	Test Orb-i's motors individually.
6	SLAM LiDAR, Charging and Self-empty	Test Orb-i's SLAM LiDAR, charging contact points, and self-empty function.
7	Hard Resetting Orb-i	Factory reset Orb-i and erase all data.

For a step-by-step video guide of Home Checkup Test, visit: [bobsweep.com/Orbi-support](https://bobsweep.com/Orbi-support).

## Orb-i won't turn on no matter what I do.

If Orb-i is not responding to his buttons, then his battery has likely drained too low for him to operate. Place Orb-i on his charging station and allow him to fully charge. **When placing him on the station, ensure the dustbin is fully latched, and there's perfect alignment between the charging nodes on the back of Orb-i and his charging station's.**

## Orb-i has to charge before completing the mapping of my house

Use the Swift Map feature on the bObsweep app to ask Orb-i to map the floor without cleaning it. In this mode, Orb-i explores and maps the house, then returns to his charging station without cleaning it.

## Orb-i's not picking up as much as he used to.

Orb-i will have trouble cleaning if his dustbin is clogged, or his main brush is clogged or tangled with hair. Remove Orb-i's main brush and clean it thoroughly from end to end. Remove and open the dustbin, and remove any large debris from Orb-i's dustbin container to ensure smooth flow of air.

## Orb-i is not self-emptying and the indicator on the station is flashing red.

By default, every time Orb-i docks, a loud vacuuming process empties his dustbin into his station's disposable dust bag. You can change the frequency using the bObsweep App.

If Orb-i's dustbin gets too packed, or if the station's air passage is clogged, contents cannot be vacuumed out. Remove and open the dustbin and dump its contents. Unplug the station and open the air passage to remove anything clogging it.

## Orb-i's having trouble finding his station.

Make sure Orb-i's charging bed is installed. You may need to relocate Orb-i's station to a more accessible area. Make sure the station is placed in a centralized area, on a hard, flat surface away from stairs or edges, direct sunlight, mirrors or reflective surfaces, and with plenty of open space around it. Then, erase the old map and let Orb-i remap the house from his new station.

## Can I pick Orb-i up?

Picking up and moving Orb-i during a cleaning session is not recommended, as it can affect his current cleaning cycle/map. Furthermore, it's best not to relocate Orb-i's charging station once he has mapped his environment. If you have to relocate the station, erase the old map and let Orb-i map the house again.

## Can't connect Orb-i to Wi-Fi.

You can connect Orb-i to a 2.4GHz Wi-Fi after he's fully charged. To do so, turn ON 'Location Services' and 'Bluetooth' on your phone settings. Also allow 'Local Network' access and turn off 'Wi-Fi Calling' on your phone. Write down your 2.4GHz Wi-Fi network and its password (note that they are case sensitive). Bring Orb-i and your phone close to your modem or router and be sure to select the correct model name 'Orb-i' from the list of bots.. For more information, visit: [bobsweep.com/Orbi-support](https://bobsweep.com/Orbi-support).

## Can I make changes to or delete the map Orb-i made?

Yes. Orb-i's map is fully customizable and editable. Review the map Orb-i creates, and make any modification you wish. For step-by-step instructions, visit: [bobsweep.com/Orbi-support](https://bobsweep.com/Orbi-support).

## Can Orb-i clean my multi-floor house?

Yes. Orb-i can save up to 3 floor maps. For step-by-step instructions on how to save maps, visit: [bobsweep.com/Orbi-support](https://bobsweep.com/Orbi-support).

## How can I diagnose Orb-i's exact problem?

You can check Orb-i's health through a Home Checkup Test. For more information on the test, visit: [bobsweep.com/Orbi-support](https://bobsweep.com/Orbi-support).

## Orb-i stopped cleaning and the trouble indicator is flashing.

When Orb-i is in trouble and needs your help, he will stop and the trouble indicator blinks.

Open the bObsweep app and find the trouble details at the top of the Control page.

## Orb-i is Offline.

Orb-i may be hibernating or is powered OFF and disconnected himself from Wi-Fi. To bring him back online, place him on the charging station and let him charge and power ON. For more information, visit: [bobsweep.com/Orbi-support](https://bobsweep.com/Orbi-support).

## Orb-i's getting stuck.

If there are areas of repeat problem in the house that Orb-i gets stuck under or stops on, draw NoSweep zones over them on the map to keep Orb-i out of trouble. For step-by-step instructions on how to draw/edit/save/delete NoSweep areas, visit: [bobsweep.com/Orbi-support](https://bobsweep.com/Orbi-support).

## Does Orb-i work with Google and Alexa devices?

Yes! Orb-i can be connected to Google Home and Alexa apps / devices. For more information, visit: [bobsweep.com/Orbi-support](https://bobsweep.com/Orbi-support).

ORB-i™

MANUEL D'UTILISATION

Model PET24-7-313  
Version 2024.a



# Félicitations!

Félicitations pour votre nouvel aspirateur de sol intelligent ! Orb-i est maintenant à votre service. Pour que Orb-i donne le meilleur de lui-même, lisez attentivement le guide de démarrage rapide et le présent manuel.

Bienvenue dans la famille bObsweep et bon nettoyage !



Si vous avez des questions ou des préoccupations, n'hésitez pas à contacter notre équipe d'assistance à [support@bobsweep.com](mailto:support@bobsweep.com) ou au 1-888-549- 8847. Heures d'ouverture : Du lundi au vendredi, de 9 h à 17 h, heure du Pacifique.

# Table des Matieres

**35** Généralités  
Consignes de sécurité  
Déclaration de conformité  
Garantie  
Nous contacter

**37** Contenu de la Boîte

**38** Anatomie  
Orb-i  
Écran et boutons  
Station de charge  
Bac à poussière

**43** Bien commencé  
Qui est Orb-i ?  
Franchir des obstacles difficiles

**45** Premier nettoyage de Orb-i  
Installer la brosse latérale  
Allumer Orb-i  
Installer la station de charge  
Charger Orb-i  
Télécharger l'app bObsweep  
Laisser Orb-i balayer

**52** Maintenance  
Poubelle  
Sac de poussiere  
Station de recharge  
Filtres  
Brosses  
Capteurs  
Roue Avant  
Batterie

**59** Dépannage  
Messages d'erreur  
Test de contrôle check-up

**63** FAQs

**67** End User License Agreement

# Consignes de sécurité importantes

- Orb-i n'est pas destiné à être utilisé par des personnes (y compris les enfants) ayant des capacités physiques ou mentales réduites, ou un manque d'expérience et de connaissances, sauf si elles sont étroitement surveillées par une personne responsable de leur sécurité.
- Orb-i est composé de composants électroniques qui, dans de rares cas non intentionnels, peuvent présenter des risques de surchauffe, d'incendie ou d'autres dysfonctionnements. De plus, comme Orb-i est capable de se déplacer de manière autonome, son utilisation comporte un risque de collision avec des biens, des animaux domestiques ou des personnes. Il peut également entraîner le retrait involontaire d'objets — tels que de petits objets de valeur, des bijoux ou des cheveux de personnes ou d'animaux allongés sur le sol.
- Orb-i n'est pas un jouet. Les jeunes enfants et les animaux domestiques doivent être surveillés lorsque Orb-i est en fonctionnement.
- Veuillez noter que Orb-i se déplace de manière autonome. Soyez prudent lorsque vous vous déplacez dans la zone où il fonctionne afin d'éviter de marcher dessus ou de trébucher.
- Si Orb-i ou sa station de recharge a été endommagé de quelque façon que ce soit, ne les utilisez pas. Veuillez contacter notre équipe de soutien pour obtenir de l'aide.
- Ne laissez pas tomber Orb-i. L'impact d'une chute peut endommager le SLAM LiDAR.
- N'utilisez pas Orb-i à l'extérieur. De plus, ne laissez pas Orb-i dans une voiture.
- N'exposez pas Orb-i ou sa station de recharge à des températures supérieures à 45 °C (113 °F), à l'humidité ou à l'eau.
- Entreposez et utilisez Orb-i uniquement dans des environnements à température ambiante.
- N'utilisez Orb-i qu'avec une prise électrique de 110-120 V. N'utilisez pas de convertisseur ou de transformateur de tension. Remarque : L'utilisation de Orb-i avec un convertisseur de tension annulera immédiatement la garantie. L'utilisation de Orb-i à l'extérieur du pays où il a été initialement acheté annule la garantie.
- Orb-i est fourni avec un cordon d'alimentation homologué pour la région nord-américaine et doit être branché uniquement dans une prise CA domestique standard. N'utilisez aucun autre cordon d'alimentation ou barre d'alimentation.
- N'utilisez pas de cordons ou de chargeurs non autorisés. L'utilisation d'un chargeur non autorisé peut provoquer une surchauffe, de la fumée, un incendie ou une explosion de la batterie.
- Risque de choc électrique : utiliser à l'intérieur, dans un endroit sec seulement. Ne manipulez pas Orb-i ou sa station de recharge avec les mains mouillées; utilisez-le uniquement sur des surfaces sèches. N'utilisez pas une prise ou un câble d'alimentation endommagé.
- La station de recharge peut être protégée à l'aide d'un parasurtenseur en cas d'orage ou de fluctuation électrique.
- Ne tirez pas sur le cordon de la station de recharge et ne la transportez pas par celui-ci. Ne coinciez pas le cordon dans une porte et ne le tirez pas autour de coins ou de surfaces tranchantes. Gardez le cordon à l'écart des surfaces chaudes. Pour le débrancher, saisissez la fiche, et non le cordon.
- Éteignez Orb-i et débranchez-le de la source d'alimentation lorsque vous ne l'utilisez pas et avant de procéder à toute maintenance.
- Ne touchez pas à la station de recharge de Orb-i et ne l'ouvrez pas lorsqu'elle est branchée dans une prise murale. Débranchez-la d'abord.
- Inspectez périodiquement le bloc-piles pour détecter tout signe de dommage ou de fuite. Ne rechargez pas un bloc-piles endommagé ou qui fuit. Des fuites provenant des cellules de la batterie peuvent survenir dans des conditions d'utilisation ou de température extrêmes. Si le liquide entre en contact avec la peau, rincez rapidement à l'eau. Si le liquide entre en contact avec les yeux, rincez-les immédiatement à l'eau claire pendant au moins 10 minutes et consultez immédiatement un médecin.
- Ne mutilez pas et n'incinerez pas la batterie, car elle pourrait exploser à haute température.
- Ne provoquez pas de court-circuit de la batterie en permettant à des objets métalliques d'entrer en contact avec les bornes de la batterie ou en l'immergeant dans un liquide. Ne soumettez pas les batteries à un choc mécanique.
- Ne jetez pas votre batterie au feu. Les batteries usées doivent être recyclées de façon sécuritaire auprès de votre centre de recyclage local.
- Si le plancher comporte des escaliers, placez des barrières physiques pour empêcher Orb-i d'y accéder et assurer un fonctionnement sécuritaire.
- Si le plancher comporte un balcon, placez des barrières physiques pour empêcher Orb-i d'y accéder et assurer un fonctionnement sécuritaire.
- Si le plancher comporte des appareils tels qu'un poêle, un ventilateur, un radiateur ou un humidificateur, retirez-les avant l'utilisation. Il existe un risque de blessure, d'accident ou de dysfonctionnement si Orb-i entre en contact avec ces appareils et les pousse.
- Si Orb-i passe sur un cordon d'alimentation et le traîne, un objet pourrait être tiré d'une table ou d'une étagère. Avant d'utiliser l'appareil, ramassez les objets comme les vêtements, les papiers lâches, les cordons de stores ou rideaux, les cordons électriques et tout objet fragile. Éteignez les bougies. Fermez les radiateurs.

- N'utilisez pas Orb-i pour ramasser des objets tranchants, du verre ou quoi que ce soit qui brûle ou dégage de la fumée, comme des cigarettes, des allumettes ou des cendres chaudes.
- N'utilisez pas Orb-i dans des zones où des prises électriques sont exposées au sol.
- À l'exception de l'accessoire pour vadrouille humide, n'immergez aucune partie de Orb-i dans l'eau ou dans un autre liquide. N'utilisez pas Orb-i pour nettoyer des liquides renversés. Ne laissez pas Orb-i ou sa station devenir mouillés.
- Ne regardez pas directement dans la partie rotative émettrice (laser) du SLAM LiDAR.
- Pour votre sécurité, n'insérez pas d'outils, de doigts ni d'autres objets dans la partie rotative du SLAM LiDAR.
- N'utilisez pas l'appareil sans sac à poussière et/ou filtres en place.
- Ne tentez pas de démonter ou d'ouvrir la station de recharge autrement que selon les instructions de ce manuel d'utilisation. Les réparations de la station doivent uniquement être effectuées par nos techniciens qualifiés.
- N'exposez pas le SLAM LiDAR de Orb-i à la lumière directe du soleil ou à une lumière infrarouge.
- Effectuez l'entretien requis tel qu'indiqué dans le manuel d'utilisation pour assurer le bon fonctionnement du robot et de sa station.

## Déclaration de Conformité

Cet appareil est conforme à la partie 15 des règles de la FCC. Son fonctionnement est soumis aux deux conditions suivantes :

(1) cet appareil ne doit pas causer d'interférences nuisibles, et (2) cet appareil doit accepter toute interférence reçue, y compris les interférences susceptibles de provoquer un fonctionnement indésirable. Le fabricant n'est pas responsable des interférences radio ou TV causées par des modifications ou des changements non autorisés apportés à cet équipement. De telles modifications ou changements pourraient annuler le droit de l'utilisateur à faire fonctionner l'équipement.

Cet équipement a été testé et déclaré conforme aux limites imposées aux appareils numériques de classe B, conformément à la partie 15 des règles de la FCC. Ces limites sont conçues pour fournir une protection raisonnable contre les interférences nuisibles dans une installation résidentielle. Cet équipement génère, utilise et peut émettre des fréquences radio et, s'il n'est pas installé et utilisé conformément aux instructions, peut causer des interférences nuisibles aux communications radio. Cependant, il n'y a aucune garantie que des interférences ne se produiront pas dans une installation particulière. Si cet équipement provoque des interférences nuisibles à la réception de la radio ou de la télévision, ce qui peut être déterminé en éteignant et en rallumant l'équipement, l'utilisateur est encouragé à essayer de corriger les interférences par une ou plusieurs des mesures suivantes :

- Réorienter ou déplacer l'antenne de réception.
- Augmenter la distance entre l'appareil et le récepteur.
- Brancher l'appareil sur une prise de courant située sur un circuit différent de celui sur lequel le récepteur est branché.
- Consulter le revendeur ou un technicien radio/TV expérimenté pour obtenir de l'aide.

## Garantie

Chaque Orb-i acheté auprès d'un vendeur agréé est couvert par notre garantie:

- Garantie standard de 2 ans
- Plan de réparation subventionné de 5 ans
- Service clientèle à vie

Pour bénéficier de la garantie, enregistrez votre robot à l'adresse suivante:

[www.bobsweep.com/warranties](http://www.bobsweep.com/warranties).

## Nous Contacté

Si vous avez des questions ou des préoccupations, veuillez contacter notre équipe d'assistance à l'adresse suivante:

[support@bobsweep.com](mailto:support@bobsweep.com) or 1-888-549-8847.

Heures : Du lundi au vendredi, de 9 heures à 17 heures (heure du Pacifique) .

Des informations de dépannage supplémentaires et des guides pratiques sont disponibles sur l'application bObsweep et sur: [www.bobsweep.com/orbi-support](http://www.bobsweep.com/orbi-support).



Orb-i™



Station de recharge auto-vidieuse



Lit de charge



Brosse de nettoyage



Brosse latérale (2)

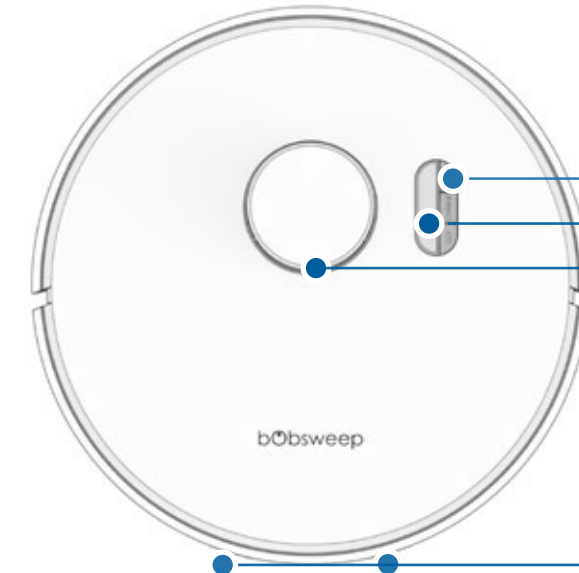


Filtre



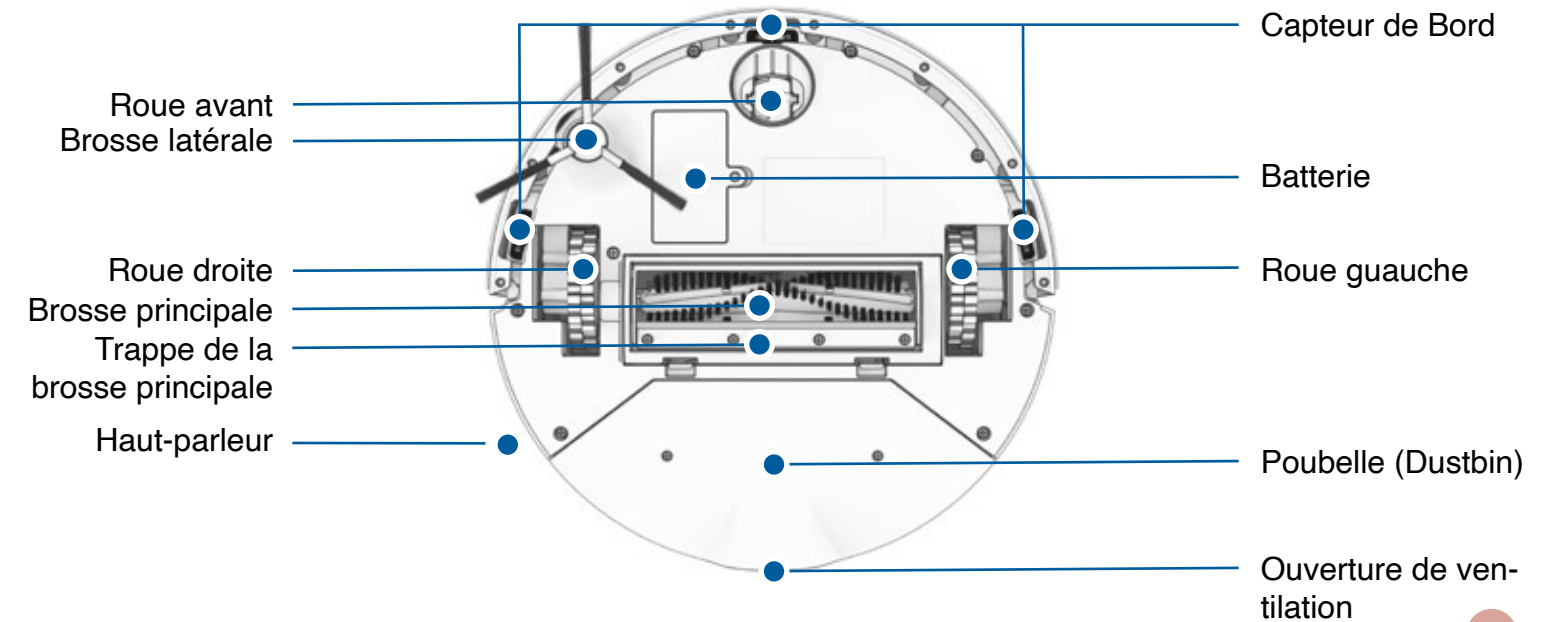
Sac à poussière

## Orb-i



Buttons  
Ecran  
SLAM LiDAR

Nœuds de charge



Roue avant  
Brosse latérale

Roue droite  
Brosse principale  
Trappe de la brosse principale

Haut-parleur

Capteur de Bord

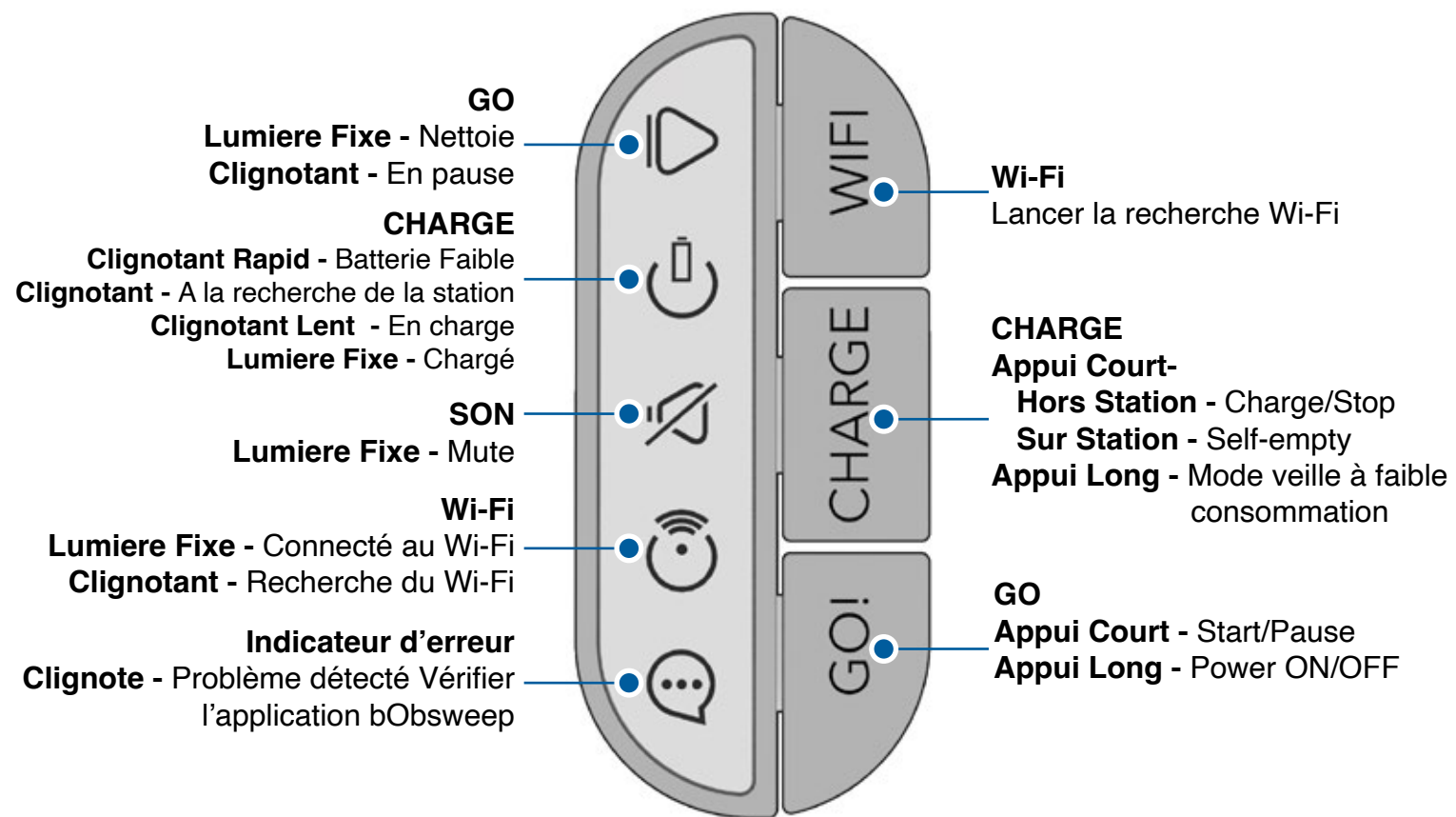
Batterie

Roue gauche

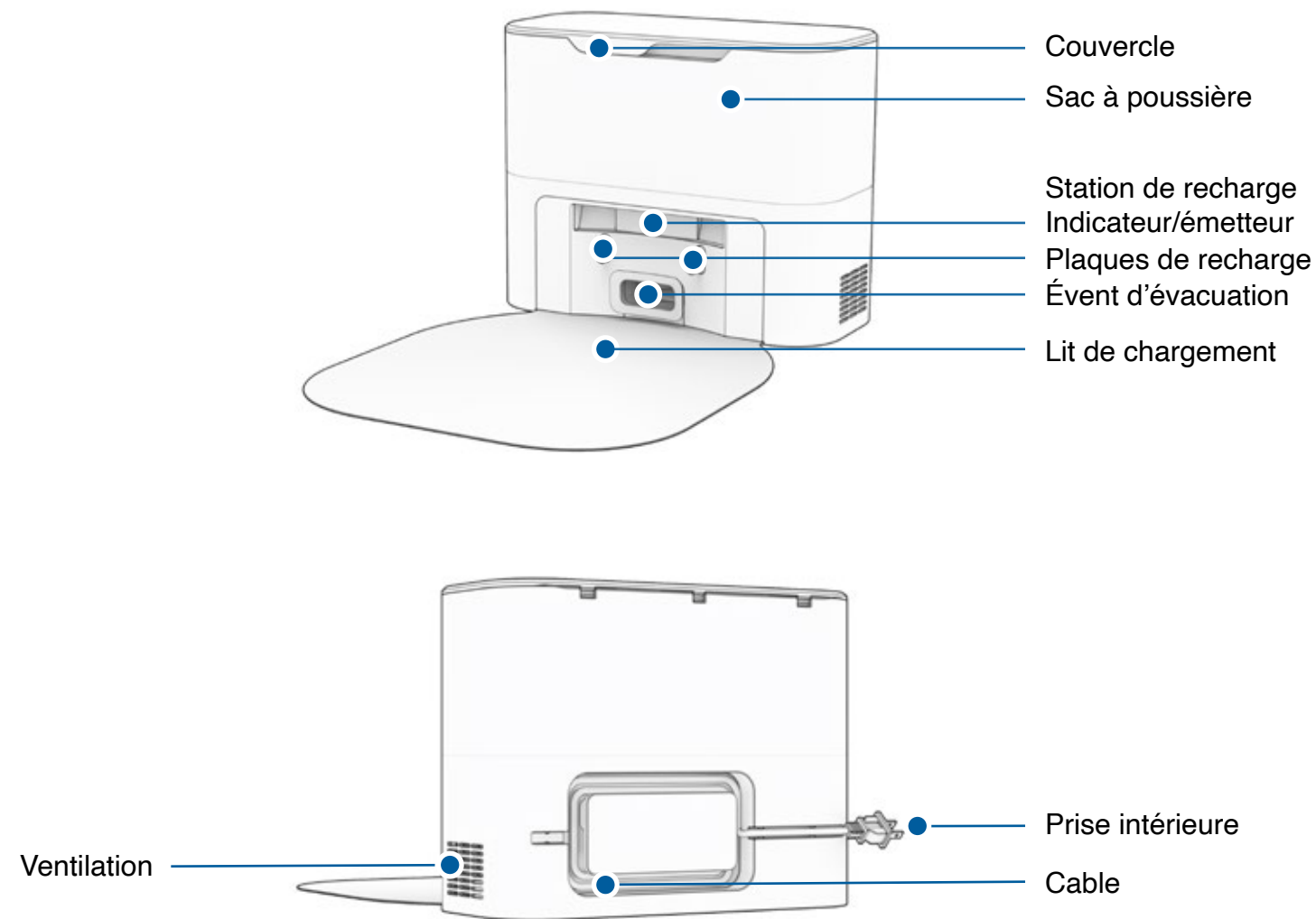
Poubelle (Dustbin)

Ouverture de ventilation

## Écran d'affichage & boutons

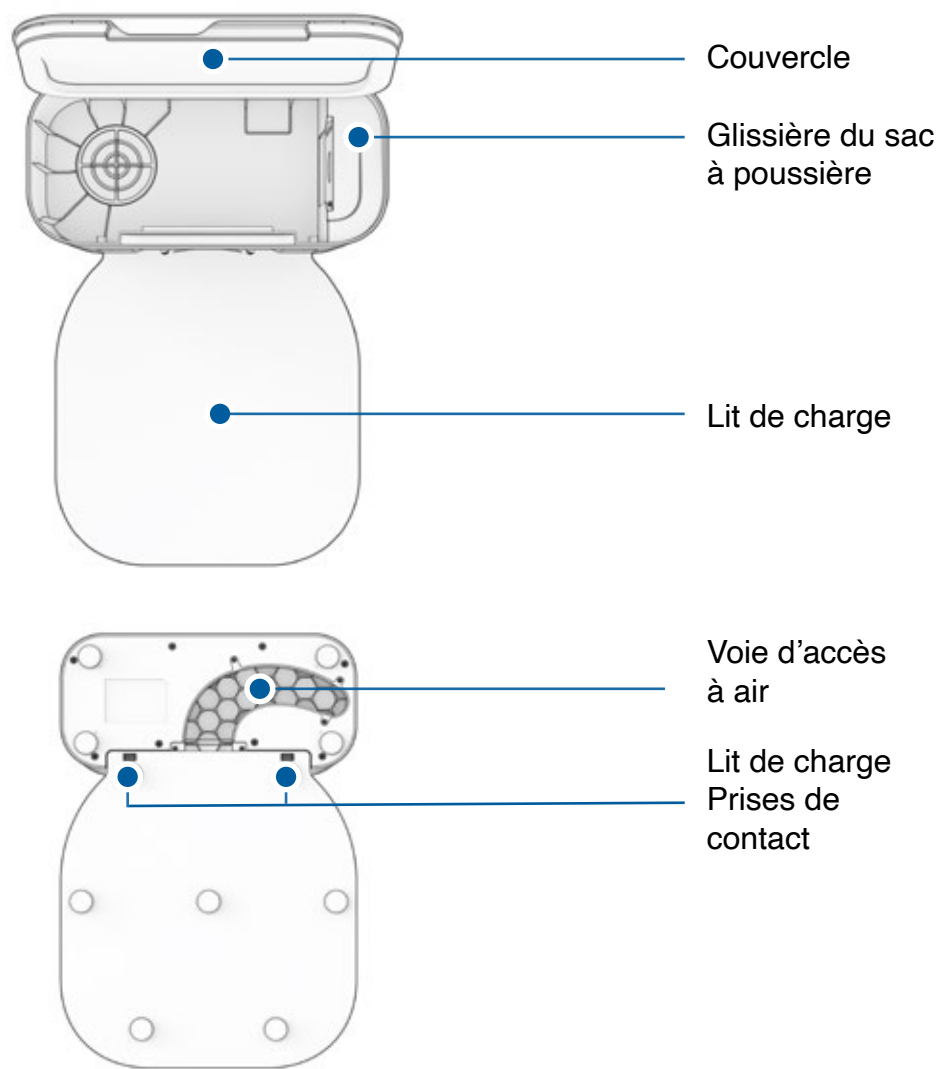


## Station de recharge et d'auto-vidage

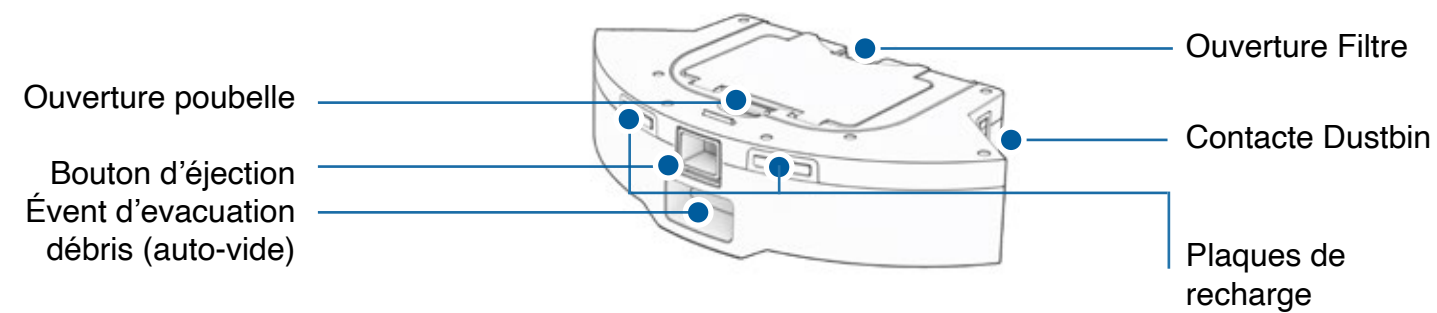




## Station de recharge & d'autovidage



## Poubelle



### Qui est Orb-i?

Orb-i est un robot aspirateur autonome, à votre service ! Connectez Orb-i au Wi-Fi et utilisez l'application bObsweep pour créer un plan de nettoyage personnalisé. Orb-i nettoiera votre maison, à votre manière.

### Comment Orb-i s'y prend-il pour s'orienter ?

Orb-i utilise la vision laser, un réseau de capteurs et une technologie de cartographie et de localisation de pointe pour détecter les murs, les meubles et les obstacles.

Tout en nettoyant, Orb-i crée une carte des zones auxquelles il peut accéder et qu'il peut nettoyer. Les zones où se trouvent les meubles et les petits objets sont marquées sur la carte. Vous pouvez afficher la carte en cliquant sur l'icône Carte de l'application bObsweep et la personnaliser à votre guise. En utilisant la carte et les critères de personnalisation de l'application, Orb-i nettoie efficacement votre maison au cours d'un cycle complet.

Après le nettoyage, Orb-i retourne à sa station et vide sa poubelle dans le conteneur de sa station de recharge. Oubliez le nettoyage et profitez de sols propres pendant des semaines !



### Franchir des obstacles difficiles

#### Meuble unique

Les meubles spéciaux, tels que les chaises de bureau à roulettes ou les tabourets à base circulaire, peuvent perturber Orb-i momentanément ; il peut rester coincé sur un rebord pendant quelques minutes, puis décider de nettoyer ailleurs.

Tant que Orb-i n'affiche pas de message d'erreur, laissez-le continuer à nettoyer et à trouver son propre chemin. Prenez note des zones que Orb-i trouve les plus difficiles et, si possible, ajustez les meubles ou ajoutez des zones NoSweep™.

#### Tapis sombres

Si Orb-i recule de manière répétée ou affiche un message d'erreur lors du nettoyage de tapis sombres, désactivez les capteurs de bord. Pour les désactiver, ouvrez l'application bObsweep et désactivez " Edge detection" dans Settings ⚙️.

N'oubliez pas que si les capteurs de bord de Orb-i sont désactivés, il ne pourra pas détecter les bords ou les escaliers et tombera du bord s'il s'en approche ! Ajoutez une ligne NoSweep à l'endroit du bord ou de l'escalier pour assurer la sécurité de Orb-i.

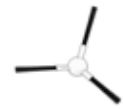
#### Tapis a poil long

La brosse principale de Orb-i n'est pas conçue pour nettoyer les tapis à poils longs ou les tapis à fibres longues et à franges. Si vous souhaitez que Orb-i nettoie des tapis à poils longs ou à fibres longues, vous pouvez lui retirer sa brosse principale et lui permettre de passer l'aspirateur sans elle.

## Installez la Brosse Latérale de Orb-i

Installez la brosse latérale de Orb-i pour l'aider à atteindre les coins et les bords des pièces.

Pièces nécessaires :



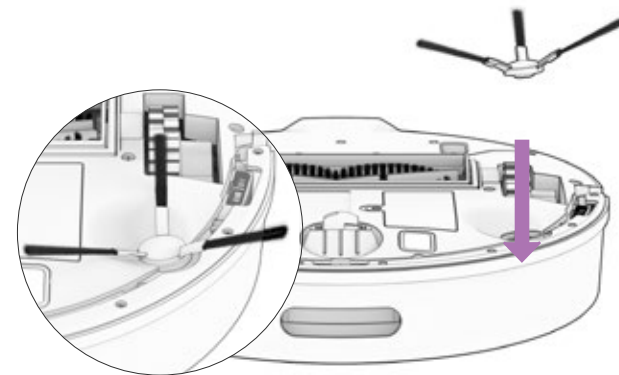
Brosse Latérale

### Avant de commencer

Retirer les pièces de protection de Orb-i, de son bumper et de la station de charge.



Placez la brosse latérale sur le socle vide de Orb-i. Appuyez jusqu'à ce qu'il s'enclenche et se verrouille en place.

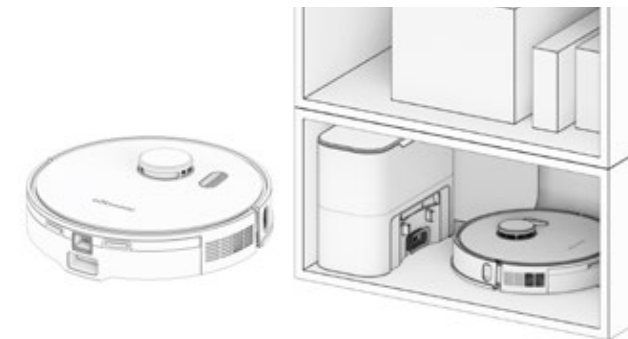


**Note Importante :** La force de la fixation de la brosse latérale peut être augmentée en tournant la vis au centre de la brosse latérale dans le sens inverse des aiguilles d'une montre.

## Allumer Orb-i

Appuyez sur le bouton GO et maintenez-le enfoncé jusqu'à ce que l'écran s'allume.

### Conserver Orb-i



Si vous n'utilisez pas Orb-i pendant une période prolongée (plus d'un mois), éteignez-le, retirez sa batterie et débranchez sa station de charge. Stockez le tout dans une pièce sèche, à l'abri de la lumière directe du soleil et des températures extrêmes.

Si vous n'avez pas l'intention d'utiliser Orb-i pendant un certain temps, vous pouvez le mettre en mode veille à faible consommation (mode LPS). Dans ce cas, placez Orb-i sur sa station de charge. Appuyez sur le bouton CHARGE de Orb-i et maintenez-le enfoncé pendant 5 secondes. Vous entendrez "low power mode", confirmant que Orb-i est en mode LPS. Pour quitter ce mode, appuyez sur le bouton GO de Orb-i lorsqu'il est sur la station de charge, ou retirez-le de la station.



**Note Important :** Dans ce mode, Orb-i est hors ligne et l'application bObsweep ne peut pas se connecter à Orb-i. De plus, tout nettoyage programmé sera mis en pause.

## Mise en place de la station de Orb-i

La lumière vive du soleil, les surfaces brillantes et les objets réfléchissants peuvent interférer avec les signaux d'amarrage de Orb-i. Placez la station de Orb-i loin des fenêtres non couvertes, des miroirs et des meubles ou objets brillants.

### Pièces nécessaires :



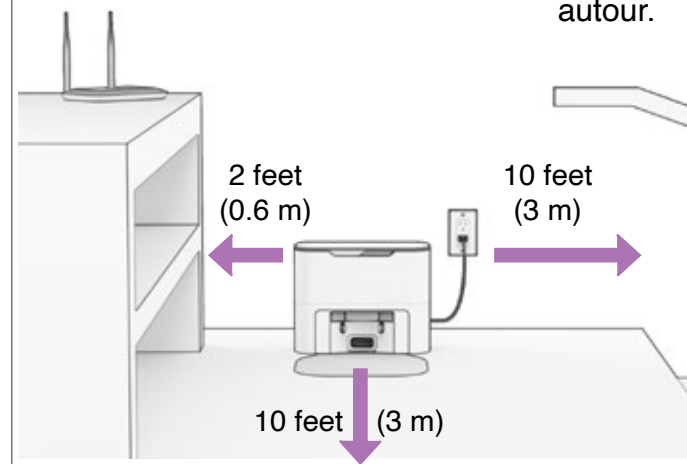
Station de recharge



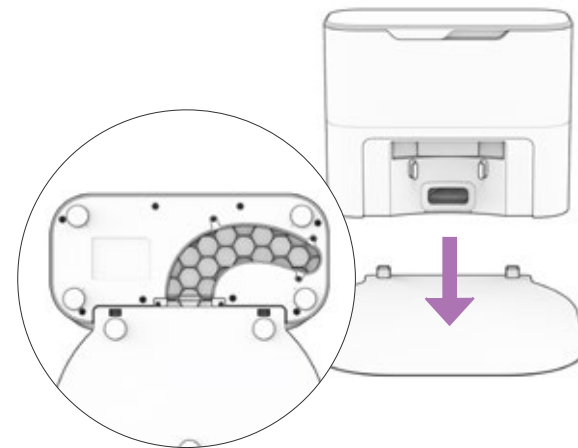
Lit de recharge

### Positionnement

Orb-i retourne à sa station de recharge après avoir nettoyé. Pour aider Orb-i, placez la station de recharge sur une surface plane et dure, loin des bords et des escaliers, avec suffisamment d'espace autour.



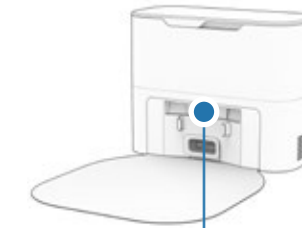
Placez la station de recharge sur les socles du lit de recharge. Appuyez pour la maintenir en place.



**Quick Tip:** Les socles du lit de recharge s'insèrent dans la station de recharge située à l'avant de celui-ci.

## Indicateurs de la station de recharge

Lorsque Orb-i a fini de stationner sur sa station de recharge et qu'il n'y a pas d'erreur de la station, le voyant lumineux de la station s'éteint. Lorsque Orb-i n'est pas sur sa station de recharge, le voyant de la station signifie :



État de LED	État de la station	Ce qu'il faut faire
● Désactivé	Eteint	Brancher dans la prise de courant.
● Bleu	Prés	Envoyer Orb-i pour charger/s'auto-vider.
● Rouge uni	Le sac à poussière n'est pas détecté/l'ouverture du sac à poussière est fermée	Insérer le sac à poussière dans la glissière et pousser la languette vers le bas pour l'ouvrir et l'aligner avec le passage d'air.
● Rouge clignotant	Encombrement de la voie aérienne	<ul style="list-style-type: none"> <li>-Retirez et ouvrez le dutbin afin de le nettoyer et de le débarrasser des encombrements importants.</li> <li>-Nettoyez l'orifice d'évacuation situé à l'arrière du dustbin. Vérifiez que le clapet se déplace librement.</li> <li>-Débranchez la station puis ouvrez la fenêtre d'accès au passage d'air pour éliminer les encombrements du passage d'air.</li> <li>- Placez Orb-i sur la station et appuyez « Charge » pour lancer un auto-vider.</li> </ul> <p>Si cela ne résout pas le problème:</p> <ul style="list-style-type: none"> <li>- Débranchez la station, retournez la station pour ouvrir la voie d'accès à air. Accédez à la fenêtre et supprimez tout congestion.</li> <li>- Placez Orb-i sur la station et appuyez « Charge » pour lancer une auto-vider.</li> </ul>

## Rechargé Orb-i

Appuyez sur le bouton CHARGE de Orb-i pour l'envoyer à sa station de recharge.

### Pièces nécessaires :



Station de recharge & d'autovidage

Pour recharger Orb-i manuellement, placez-le sur son lit de recharge, les nœuds métalliques de son dos reposant sur les plaques de la station.



**Quick Tip:** Orb-i vide son bac à chaque fois qu'il se stationne à la fin d'une session de nettoyage. Définissez la fréquence à laquelle Orb-i se vide lui-même dans "Cleaning Preferences" sur l'application bObsweep.

### Charging Indicator



- Batterie Fiable :** Cligne rapidement.
- Recherche Station :** Cligne.
- En charge :** Cligne lentement.
- Chargé :** Brille en blanc.

## Télécharger l'application bObsweep

Connectez Orb-i au Wi-Fi pour accéder à l'ensemble des fonctionnalités de Orb-i et aux mises à jour logicielles importantes. Suivez les instructions de l'application pour vous connecter aux appareils Amazon Alexa ou Google Home.

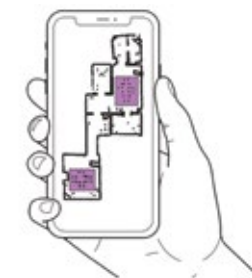
### Articles nécessaires :



Smart Phone



Connexion Wi-Fi 2.4GHz



Orb-i cartographie la zone au premier coup d'œil. Modifiez, personnalisez la carte de nettoyage de Orb-i, puis définissez des horaires de nettoyage et profitez de sols propres sans avoir à lever le petit doigt pendant plusieurs semaines d'affilée.

Ouvrez l'application bObsweep, créez votre compte et suivez les instructions pour connecter votre robot.

### Quick Tips:

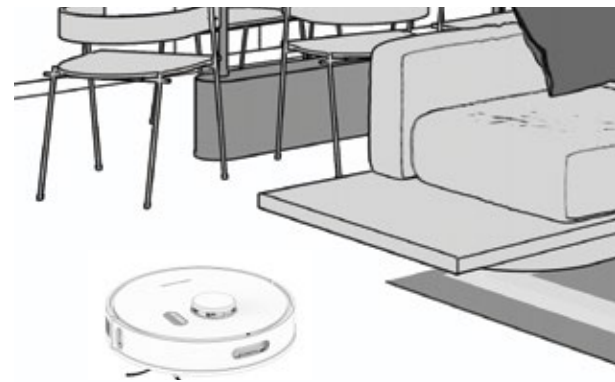
Consultez l'App Store/Google Play Store (le code QR se trouve sur la couverture de ce manuel) et mettez à jour l'application bObsweep pour accéder aux dernières fonctionnalités de l'application bObsweep.

Consultez la page Paramètres du Bot sur l'application bObsweep et mettez à jour le logiciel Orb-i pour accéder à la dernière version du système d'exploitation de Orb-i.

## Laissez Orb-i balayer !

Orb-i est maintenant prêt à balayer ! Éliminez tout encombrement ou câble et appuyez sur le bouton GO.

### Levage et déménagement



Ne soulevez pas Orb-i pendant le nettoyage pour éviter de déformer sa carte.

Ne changez pas l'emplacement de la station de Orb-i une fois la carte terminée.

Doté de la technologie de nettoyage Room-to-Room™, Orb-i explore et nettoie automatiquement votre maison, en évitant les meubles et les obstacles sur son chemin. Pour de meilleurs résultats, retirez le désordre et les petits objets.



## Pour une meilleure performance

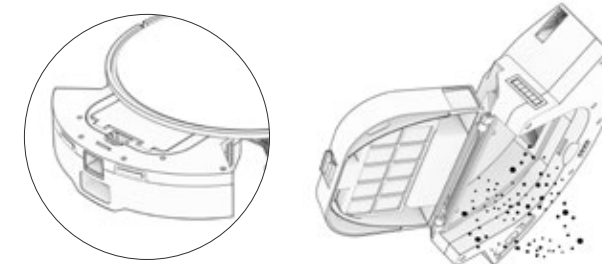
Pour optimiser l'efficacité de Orb-i, il est préférable de maintenir ses brosses, ses filtres et ses capteurs propres.

Partie	Maintenance recommandé	Replacement Frequency
Poubelle et Station	Au mois	
Filtre	Au mois	Tous les 6 mois
Brosses	Chaque semaine	Tous les 12 mois
Capteurs	Chaque semaine	
Roue avant	Chaque semaine	
Batterie		Tous les 24 à 36 mois

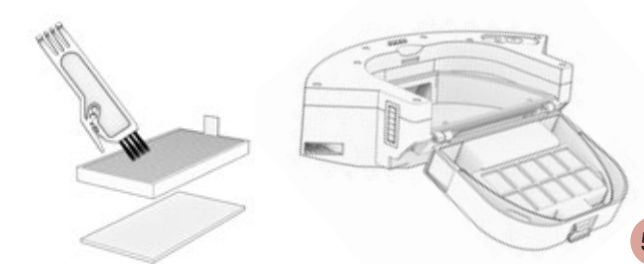
**Quick Tips:** Enlevez les débris des coins et recoins autour des brosses et des roues. Utilisez une pince à épiler pour éliminer la congestion des extrémités des brosses et des compartiments de la brosse principale et des brosses latérales de Orb-i. Utilisez des ciseaux ou l'outil de nettoyage fourni pour couper les poils qui s'enroulent autour des brosses.

## Poubelle

1. Retirez le poubelle. Ouvrez et videz son contenu.



2. Dépoussiérez les filtres et essuyez la poubelle.

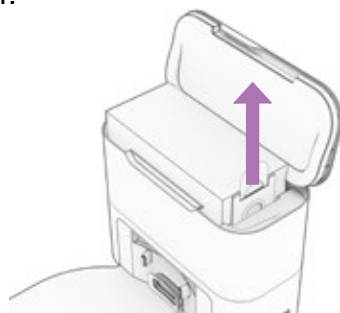


## Sac de poussière

1. Ouvrez le couvercle.



2. Tirez la languette vers le haut pour fermer l'ouverture du sac à poussière. Soulevez pour retirer le sac à poussière plein et le jeter.



3. Placez le nouveau sac à poussière, en faisant glisser la carte complètement en place. Faites glisser la languette d'ouverture vers le bas.



4. Fermez le couvercle.



## Station de recharge et d'autovidage

Avant de nettoyer la station de recharge, débranchez-la.

1. Essuyez les nœuds de charge (points de contact).



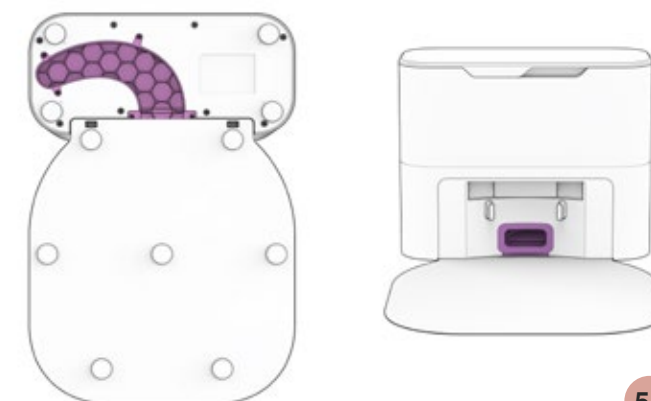
2. Essuyer la fenêtre de l'émetteur, en s'assurant qu'elle n'est pas bloquée ou couverte.



3. Retirez le sac à poussière et nettoyez le bac à poussière pour éviter l'accumulation de débris ou toute obstruction à la libre circulation de l'air.

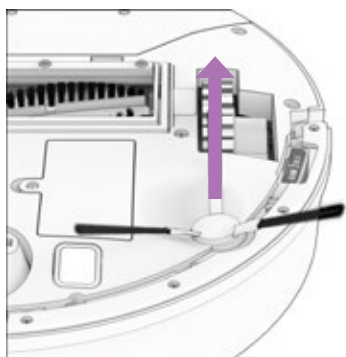


4. Débranchez la station. Inspectez l'évent d'évacuation et le passage de l'air. Nettoyez et éliminez tout encombrement.

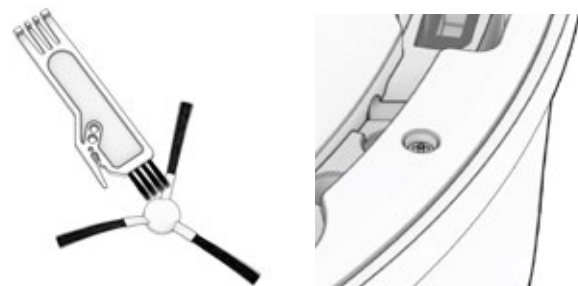


## Brosses

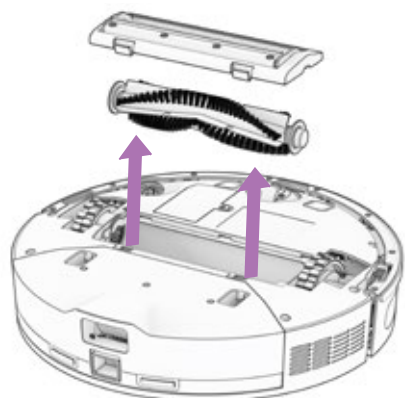
1. Tirez vers le haut pour retirer la brosse latérale.



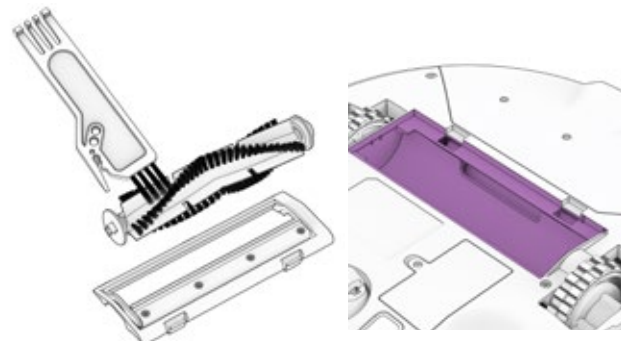
2. Retirez les débris de la brosse latérale et son logement.



3. Pincez les languettes de la porte principale des brosses et soulevez-la.



4. Nettoyez le balai principal et tous ses composants, y compris la porte de la brosse et le compartiment de la brosse.



## Capteurs

Utilisez un chiffon doux en coton pour essuyer les capteurs.

1. Essuyez les capteurs de bord et de mur.



2. Essuyez les nœuds de charge sur Orb-i et sa station.



3. Essuyez les connecteurs métalliques du de la poubelle.



4. Essuyez la partie supérieure et la zone autour du SLAM LiDAR.



### Remarque importante :

Le SLAM LiDAR de Orb-i est un capteur sensible. N'appliquez pas de force, n'insérez pas d'objets et ne réglez pas le SLAM LiDAR. Ne vous asseyez pas sur Orb-i et ne placez pas d'objets sur lui.



## Roue avant

1. En utilisant un tournevis à tête plate comme levier, saisissez fermement la roue et tirez, saisissez fermement la roue et tirez.



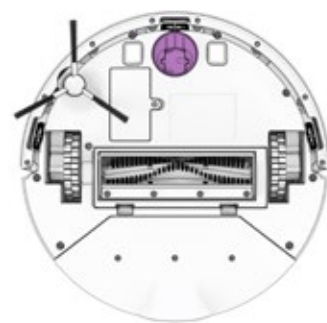
2. Une fois la roue retirée, utilisez le tournevis pour extraire l'ensemble de la roue.



3. Nettoyez la roue et tous ses composants, y compris l'assemblage et la douille de la roue.



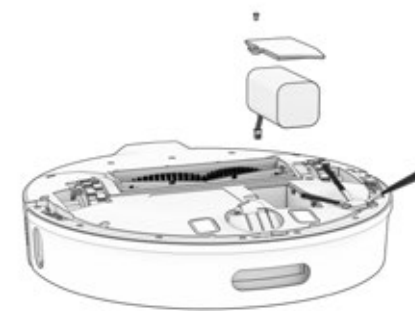
4. Remettez les deux parties en place lorsque c'est fait. Poussez vers le bas pour les verrouiller en place.



## Batterie

Eteignez Orb-i avant de remplacer la pile. Appuyez sur le bouton GO et maintenez-le enfoncé.

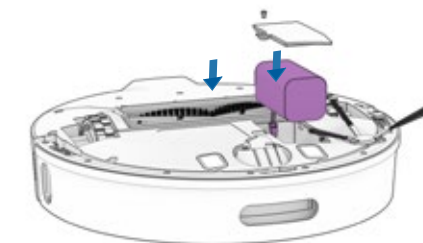
1. Utilisez un tournevis cruciforme pour ouvrir le compartiment à piles.



2. Débranchez l'ancienne batterie et branchez la nouvelle.



3. Glissez la nouvelle batterie dans Orb-i.



**Note importante :** Le mode haute puissance augmente de façon exponentielle l'utilisation de la batterie de Orb-i. Utilisez le mode basse consommation pour réduire la consommation d'énergie de Orb-i.

# Dépannage

Lorsque Orb-i rencontre un problème, il s'arrête et son indicateur de trouble clignote. Consultez l'application bObsweep pour connaître les détails des problèmes.

Trouble	Solution
Battery	Batterie faible ou déconnectée. Vérifier la connexion. Réinitialisez et chargez Orb-i.
Left/Right Wheel	La roue gauche/droite est bloquée. Vérifier qu'il n'y a pas d'obstruction et nettoyer.
Main Brush	La brosse principale est obstruée. Retirer et nettoyer.
Side Brush	La brosse latérale est obstruée. Retirer et nettoyer.
Dustbin	Poubelle est déconnectée ou les points de contact sont sales. Nettoyez les points de contact et remettez-les en place. Ou le moteur d'aspiration est bloqué. Vérifier qu'il n'y a pas d'obstruction et nettoyer.
Edge Sensors	Orb-i est coincé près d'un bord, ou n'est pas en contact avec le sol ou les capteurs de bord sont sales. Mettez Orb-i en sécurité et nettoyez les capteurs de bord.
Bumper	Le Bumper est sale ou bloqué. Essayez autour du bumper ; éliminez toute obstruction.
LiDAR Bumper	Le bumper du SLAM LiDAR est bloqué. Vérifiez qu'il n'y a pas d'obstruction et nettoyez-le.
LiDAR	Le SLAM LiDAR n'est pas propre/perte de visibilité. Nettoyez le SLAM LiDAR et éloignez Orb-i des miroirs/des surfaces métalliques/des murs et placez-le au centre de la pièce.
Charging Station	Impossible de localiser la station de recharge. Rebranchez la station de charge et chargez.
User Interface	L'interface utilisateur de Orb-i/le port USB ne répond pas. Réinitialisez Orb-i et assurez-vous que le port USB est vide.
Electronic	Erreur de composant électronique. Réinitialisez Orb-i (Éteignez et allumez Orb-i).
Stuck	Orb-i est coincé. Éliminez les obstacles, et les fils et réinitialisez Orb-i.
Navigation	Orb-i ne peut pas naviguer. Éliminez les encombrements et les fils et réinitialisez Orb-i.
Localization	Orb-i ne peut pas se repérer sur la carte. Vérifier l'exactitude de la carte/effacer la carte pour la refaire.
Settings	Les paramètres actuels de la chambre ne correspondent pas à ceux de Orb-i. Modifier les paramètres/horaires de la carte.

# Test de contrôle check-up

Si Orb-i ne fonctionne pas aussi bien qu'il le devrait, vous pouvez diagnostiquer le problème à l'aide d'un simple test de contrôle check-up.

## Mettre Orb-i en/hors mode check-up

### Mettre Orb-i en mode check-up :

Appuyez simultanément sur les boutons "GO", "CHARGE" et "WI-FI" et maintenez-les enfoncés pendant quelques secondes jusqu'à ce que le robot indique : "Home Checkup Mode Activated" (Mode de contrôle à domicile activé). Dans ce mode, le capteur LiDAR de Orb-i tourne.

### Pour quitter le mode check-up :

Appuyez à nouveau simultanément sur les boutons "GO", "CHARGE" et "WI-FI". Vous entendrez "Exiting Home Checkup Mode" et le capteur LiDAR de Orb-i s'arrêtera de tourner.

### Notes Importantes :

- Pendant le test, si Orb-i reste inactif pendant plus d'une minute, il quittera automatiquement le test de contrôle à domicile.
- Pour passer d'une étape à l'autre du test de contrôle, appuyez sur le bouton Wi-Fi.
- Pour démarrer/arrêter les tests à chaque étape, appuyez sur le bouton GO jusqu'à ce que vous entendiez "Begin test" et "Stop test". Arrêtez toujours un test avant de passer à l'étape suivante.

Etape	Partie (s) Testé	Description
1	Battery	Après une charge complète, testez la batterie de Orb-i.
2	Edge Sensors	Testez les capteurs de bord.
3	Charging Station	Tester les capteurs de charge.
4	Bumpers and Wi-Fi	Testez le module Wi-Fi & capteurs tactiles.
5	Motors (wheels, brushes, vacuum)	Test chacun des moteurs de Orb-i individuellement.
6	SLAM LiDAR, Charging and Self-empty	Testez le SLAM LiDAR de Orb-i, les points de contact de charge et la fonction d'auto-vidage.
7	Hard Resetting Orb-i	Réinitialisez Orb-i aux paramètres d'usine et effacez toutes les données.

Guide vidéo étape par étape du test de contrôle check-up: [bobsweep.com/Orbi-support](https://bobsweep.com/Orbi-support).

## Orb-i ne s'allume pas, quoi que je fasse.

Si Orb-i ne réagit pas aux boutons, sa batterie est probablement trop faible pour qu'il puisse fonctionner. Placez Orb-i sur sa station de chargement et laissez-le se recharger complètement. Lorsque vous le placez sur la station, assurez-vous que la poubelle est bien enclenchée et que les nœuds de charge situés à l'arrière de Orb-i sont parfaitement alignés avec ceux de sa station de charge.

## Orb-i doit être rechargé avant de terminer la cartographie de ma maison.

Utilisez la fonction Swift Map de l'application bObsweep pour demander à Orb-i de cartographier les sols sans les nettoyer. Dans ce mode, Orb-i explore et cartographie la maison, puis retourne à sa borne de recharge sans la nettoyer. Assurez-vous qu'Orb-i est complètement chargé avant de lancer cette fonctionnalité.

## Orb-i ne ramasse plus autant qu'avant.

Orb-i aura du mal à se nettoyer si son bac à poussière est bouché ou si sa brosse principale est obstruée ou emmêlée de poils. Retirez la brosse principale de Orb-i et nettoyez-la soigneusement d'un bout à l'autre. Retirez et ouvrez le bac à poussière, et enlevez tous les gros débris du bac à poussière de Orb-i pour assurer une bonne circulation de l'air.

## Comment puis-je savoir que Orb-i est complètement chargé et prêt à nettoyer ?

Lorsque Orb-i est en cours de chargement, le voyant de chargement clignote lentement. Lorsque Orb-i est entièrement chargé et prêt à nettoyer, l'indicateur de charge brille en blanc.

## Orb-i a du mal à trouver son poste.

Assurez-vous que le lit de recharge de Orb-i est installé. Vous devrez peut-être déplacer la station de Orb-i dans un endroit plus accessible. Assurez-vous que la station est placée dans une zone centrale, sur une surface dure et plate, loin des escaliers ou des bords, de la lumière directe du soleil, des miroirs ou des surfaces réfléchissantes, et avec beaucoup d'espace libre autour d'elle. Ensuite, effacez l'ancienne carte et laissez Orb-i refaire la carte de la maison à partir de sa nouvelle station.

## Est ce que je peux passer prendre Orb-i ?

Il n'est pas recommandé de prendre et de déplacer Orb-i pendant une session de nettoyage, car cela peut affecter son cycle de nettoyage/carte en cours. En outre, il est préférable de ne pas déplacer la station de charge de Orb-i une fois qu'il a cartographié son environnement. Si vous devez déplacer la station, effacez l'ancienne carte et laissez Orb-i cartographier à nouveau la maison.

## Impossible de connecter Orb-i au Wi-Fi.

Vous pouvez connecter Orb-i à un Wi-Fi 2,4 GHz une fois qu'il est complètement chargé. Activez «Location Services» et «Bluetooth» dans votre téléphone. Autorisez également l'accès au «Local Networks» et désactivez les «Wi-Fi Calling» sur votre téléphone. Notez votre réseau Wi-Fi 2,4 GHz et son mot de passe (notez qu'ils sont sensibles à la casse). Rapprochez Orb-i et votre téléphone de votre modem ou routeur et assurez-vous de sélectionner le nom de modèle correct «Orb-i» dans la liste des robots. Pour plus d'informations, visitez : [bobsweep.com/Orbi-support](https://bobsweep.com/Orbi-support).

## Orb-i peut-il nettoyer ma maison à plusieurs étages ?

Oui. Orb-i peut sauvegarder jusqu'à 3 cartes d'étage. Pour obtenir des instructions étape par étape sur la façon de sauvegarder les cartes, visitez : [bobsweep.com/Orbi-support](https://bobsweep.com/Orbi-support).

## Orb-i a arrêté le nettoyage et l'indicateur de panne clignote.

Lorsque Orb-i est en difficulté et a besoin de votre aide, il s'arrête et l'indicateur de panne clignote. Ouvrez l'application bObsweep et trouvez les détails du problème en haut de la page Control.

## Orb-i est Offline.

Orb-i est peut-être en veille prolongée ou est éteint et s'est déconnecté du Wi-Fi. Pour le remettre en ligne, placez-le sur la station de recharge et laissez-le se charger et s'allumer. Pour obtenir des instructions visitez : [bobsweep.com/Orbi-support](https://bobsweep.com/Orbi-support).

## Orb-i est souvent coincé.

S'il y a des zones à problèmes répétés dans la maison sous lesquelles Orb-i se coince ou s'arrête, dessinez des zones NoSweep au-dessus de ces zones sur la carte pour éviter à Orb-i d'avoir des ennuis.

## Comment puis-je diagnostiquer le problème exact de Orb-i ?

Si Orb-i n'est pas aussi performant qu'il le devrait, vous pouvez diagnostiquer le problème à l'aide d'un test de contrôle à domicile. Pour plus d'informations sur la manière d'effectuer ce test, consultez : [bobsweep.com/Orbi-support](https://bobsweep.com/Orbi-support).

## Puis-je modifier ou supprimer la carte que Orb-i a créée ?

Oui. La carte de Orb-i est entièrement personnalisable et modifiable. Examinez la carte créée par Orb-i et apportez-y toutes les modifications que vous souhaitez. Pour des instructions étape par étape, visitez : [bobsweep.com/Orbi-support](https://bobsweep.com/Orbi-support).

# End User License Agreement

**IMPORTANT - READ BEFORE USING.** Do not use the robot (“Orb-i” or “bObsweep”) accompanying this license agreement (“Agreement”) until you have carefully read and agreed to the following terms and conditions.

By using the bObsweep, you agree to the terms of this End User License Agreement (“EULA”) and any amendment or addenda accompanying this Agreement. If you do not agree to the terms of this EULA, you may not use the bObsweep. The bObsweep contains an electronic and software interface that allows you to control or modify its behavior, and remotely monitor its sensors.

**THIS IS A LEGAL AGREEMENT. BY ACCESSING AND USING THE PRODUCT AND PRODUCT SOFTWARE, YOU ARE ACCEPTING AND AGREEING TO THIS EULA ON BEHALF OF YOURSELF OR THE ENTITY YOU REPRESENT IN CONNECTION WITH THE ACCESS. YOU REPRESENT AND WARRANT THAT YOU HAVE THE RIGHT, AUTHORITY, AND CAPACITY TO ACCEPT AND AGREE TO THIS EULA ON BEHALF OF YOURSELF OR THE ENTITY YOU REPRESENT. YOU REPRESENT THAT YOU ARE OF SUFFICIENT LEGAL AGE IN YOUR JURISDICTION OR RESIDENCE TO USE OR ACCESS THE PRODUCT SOFTWARE AND TO ENTER INTO THIS EULA. IF YOU DO NOT AGREE WITH ANY OF THE PROVISIONS OF THESE TERMS, YOU SHOULD CEASE USING THE PRODUCT AND PRODUCT SOFTWARE.**

## Terms and Conditions

**LICENSE:** Subject to all of the terms of this Agreement, Bobsweep Inc. (“bObsweep”) grants to you one (1) revocable, royalty-free, personal, non-exclusive, non-transferable, non-assignable, non-commercial intellectual property license to use the Bobsweep software contained on the bObsweep (“Bobsweep Software”), including the protocol for communicating with the bObsweep Software, and to use the bObsweep.

**NONCOMMERCIAL LICENSE:** You may use the Bobsweep Software and the bObsweep only for personal, non-commercial, educational, and research purposes. The Bobsweep Software and the bObsweep may not be used for any other purpose, whether “for profit” or “not for profit.” Any work performed or produced using the bObsweep, including any software that you create for your bObsweep (“Your Software”), cannot be performed or produced for the benefit of other parties for a fee, compensation, or any other reimbursement or remuneration. A separate license is required for each additional use and/or individual user in all other cases. If you are an entity, Bobsweep grants you the right to designate one individual within your organization to have the sole right to use the Bobsweep Software and the bObsweep in the manner provided above.

**RESTRICTIONS:** You agree not to: (i) use or copy the Bobsweep Software or the bObsweep except as provided in this Agreement; (ii) rent or lease the Bobsweep Software or the bObsweep to any third party; (iii) assign this Agreement or transfer the Bobsweep Software or the bObsweep except as provided in this Agreement; (iv) modify, adapt, or translate the Bobsweep Software or the bObsweep in whole or in part except as expressly provided in this Agreement; (v) reverse engineer, reverse compile, or disassemble the Bobsweep Software or the bObsweep; or (vi) distribute, sublicense or transfer the source code form of Your Software and derivatives thereof to any third party except as provided in this Agreement.

**YOUR SOFTWARE :** Your Software is also subject to the following limitations: You (i) shall be solely responsible for any update or support obligation or other liability which may arise from your use or distribution, (ii) shall not make any statement that Your Software is “certified,” or that its performance is guaranteed, by Bobsweep, (iii) shall not use Bobsweep’s name

or trademarks, (iv) shall prohibit disassembly and reverse engineering of the bObsweep Software and the bObsweep, (v) shall not publish reviews of bObsweep products designated as beta without written permission from bObsweep, and (vi) shall indemnify, hold harmless, and defend bObsweep and its suppliers from and against any claims or lawsuits, including attorney’s fees, that arise or result from Your Software, including your use and your distribution.

**TITLE:** Title to the bObsweep Software remains with bObsweep or its suppliers. The bObsweep Software is licensed, not sold. Except as expressly provided herein, bObsweep does not grant any express or implied right to you under bObsweep patents, copyrights, trademarks, or trade secret information. You will not remove any copyright or patent notice from the bObsweep Software or the bObsweep.

**ONE-TIME TRANSFER:** The initial user of the bObsweep Software and the bObsweep may make a one-time permanent transfer of this Agreement, the bObsweep Software, and the bObsweep to another end user, provided that the initial user retains no copies of the bObsweep Software and the bObsweep. This transfer must include the bObsweep Software, the bObsweep, and all of the materials accompanying the bObsweep (including all component parts and printed materials, any upgrades, and this End User License Agreement document). The transfer may not be an indirect transfer, such as a consignment. Prior to the transfer, the end user receiving the bObsweep Software and the bObsweep must agree to all the terms of this Agreement.

**NO WARRANTY AND LIMITED REPLACEMENT: EXCEPT AS STATED IN THE LIMITED WARRANTY TO THE ORIGINAL PURCHASER, THE SOFTWARE AND THE BOBSWEEP ARE PROVIDED “AS IS” WITH NO WARRANTIES, EXPRESS OR IMPLIED, INCLUDING BUT NOT LIMITED TO ANY IMPLIED WARRANTY OF MERCHANTABILITY, FITNESS FOR A PARTICULAR PURPOSE, NON-INFRINGEMENT OF INTELLECTUAL PROPERTY RIGHTS, OR ANY WARRANTY OTHERWISE ARISING OUT OF ANY PROPOSAL, SPECIFICATION, OR SAMPLE. NO ORAL OR WRITTEN INFORMATION OR ADVICE GIVEN BY BOBSWEEP OR ITS AGENTS SHALL CREATE A WARRANTY.**

If the Bobsweep Software or the bObsweep is found to be defective in material or workmanship under normal use for a period of one (1) year from the date of receipt, Bobsweep’s entire liability and your exclusive remedy shall be the replacement of the Bobsweep Software or the bObsweep. This offer is void if the defect results from accident, abuse, misapplication, or software that you developed for your bObsweep. Any updates or supplements to the Bobsweep Software or the bObsweep provided to you after the expiration of the one (1) year period are not covered by any warranty or condition, express, implied or statutory.

**SOME JURISDICTIONS DO NOT ALLOW THE EXCLUSION OF IMPLIED WARRANTIES, SO THE ABOVE EXCLUSION MAY NOT APPLY TO YOU. LIMITATION OF LIABILITY: THE ABOVE REPLACEMENT PROVISION IS THE ONLY WARRANTY OF ANY KIND. BOBSWEEP OFFERS NO OTHER WARRANTY EITHER EXPRESS OR IMPLIED INCLUDING THOSE OF MERCHANTABILITY, NON INFRINGEMENT OF THIRD- PARTY INTELLECTUAL PROPERTY OR FITNESS FOR A PARTICULAR PURPOSE. NEITHER BOBSWEEP NOR ITS SUPPLIERS SHALL BE LIABLE FOR ANY DAMAGES WHATSOEVER (INCLUDING, WITHOUT LIMITATION, VICARIOUS LIABILITY, CONSEQUENTIAL DAMAGES, INCIDENTAL DAMAGES, DAMAGES FOR LOSS OF BUSINESS PROFITS, BUSINESS INTERRUPTION, LOSS OF BUSINESS INFORMATION, OR OTHER LOSS) ARISING OUT OF THE USE OF OR INABILITY TO USE THE BOBSWEEP SOFTWARE, THE BOBSWEEP, OR SOFTWARE THAT YOU DEVELOPED FOR YOUR BOBSWEEP, EVEN IF BOBSWEEP HAS BEEN ADVISED OF THE POSSIBILITY OF SUCH DAMAGES. BECAUSE SOME JURISDICTIONS**

PROHIBIT THE EXCLUSION OR LIMITATION OF LIABILITY FOR CONSEQUENTIAL OR INCIDENTAL DAMAGES, THE ABOVE LIMITATION MAY NOT APPLY TO YOU UNAUTHORIZED USE: THE BOBSWEEP SOFTWARE AND THE BOBSWEEP ARE NOT DESIGNED, INTENDED, OR AUTHORIZED FOR USE IN ANY AERONAUTICAL, NUCLEAR, MEDICAL, LIFE SAVING OR LIFE SUSTAINING SYSTEMS, OR FOR ANY OTHER APPLICATION IN WHICH THE USE OF THE BOBSWEEP SOFTWARE OR THE BOBSWEEP COULD CREATE A SITUATION WHERE PERSONAL INJURY OR DEATH MAY OCCUR.

Should you use the Bobsweep Software or bObsweep for any such unintended or unauthorized use, you shall indemnify and hold harmless Bobsweep and its officers, subsidiaries and affiliates against all claims, costs, damages, and expenses, and reasonable attorney fees arising out of, directly or indirectly, any claim of product liability, personal injury or death associated with such unintended or unauthorized use, even if such claim alleges that Bobsweep was negligent regarding the design or manufacture of the Bobsweep Software, the bObsweep, or any part or portion thereof.

USER SUBMISSIONS: You agree that any material, information or other communication, including all data, images, sounds, text, and other things embodied therein, that you transmit or post to a Bobsweep website or provide to Bobsweep (“Communications”) will be considered non-confidential. Bobsweep will have no confidentiality obligations with respect to the Communications. You agree that Bobsweep and its designees will be free to copy, modify, create derivative works, publicly display, disclose, distribute, license and sublicense through multiple tiers of distribution and licensees, incorporate and otherwise use the Communications, including derivative works thereof, for any and all commercial or non-commercial purposes without the payment of any royalty to you, and that such license will survive the termination of this Agreement.

TERMINATION: This Agreement becomes effective on the date you accept this Agreement and will continue until terminated as provided for in this Agreement. You may terminate this Agreement voluntarily at any time. Bobsweep may terminate this Agreement at any time if you are in breach of any of its terms and conditions, and may refuse to license the Bobsweep Software or the bObsweep to you after termination. Upon termination by either party, you will immediately return to bObsweep or destroy the Bobsweep Software and the bObsweep and all your copies thereof. Articles 5 and 7 through 17 of this Agreement shall survive such termination. U.S. GOVERNMENT RESTRICTED RIGHTS: The Bobsweep Software and the bObsweep are provided with “RESTRICTED RIGHTS.” Use, duplication or disclosure by the Government is subject to restrictions set forth in FAR52.227-14 and DFAR252.227-7013 et seq. or its successor. Use of the Bobsweep Software or the bObsweep by the Government constitutes acknowledgment of Bobsweep’s rights in them.

NO EXPORT: You may not export the Bobsweep Software or the bObsweep in violation of applicable export laws.

INTERPRETATION PROVISION: The provisions of this Agreement are severable. If any provision of this Agreement is held to be unenforceable, such provision shall be reformed only to the extent necessary to make it enforceable. Any law or regulation which provides that the language of a contract shall be construed against the drafter shall not apply to this Agreement.

INTEGRATION: This Agreement represents the complete agreement concerning the subject matter hereof, and any and all understandings, conversations and communications, proposals, and counterproposals, oral and written (including any draft of this Agreement) are merged into and superseded by this Agreement and shall be of no force or effect, except as expressly provided herein. No such understandings, conversations, communications, proposals, counterproposals or drafts shall be

referred to in any proceeding concerning this Agreement. Further, no understanding contained in this Agreement shall be modified, altered or amended, except by a writing signed by the party against whom enforcement is sought.

ARBITRATION: All disputes relating to this Agreement (excepting any dispute relating to intellectual property rights) shall be subject to final and binding arbitration, with the losing party paying all costs of arbitration. Any arbitration relating to this Agreement shall be held in California, under the auspices of an arbiter selected by Bobsweep. Any litigation relating to this Agreement shall be subject to exclusive venue and jurisdiction in the federal and state courts of California, with the losing party responsible for costs, including without limitation, court costs and reasonable attorneys fees and expenses.

APPLICABLE LAWS: Any claim arising under or relating to this Agreement shall be governed by the internal substantive laws of the Commonwealth of California, without regard to its principles of conflict of laws. The application of the United Nations Convention on Contracts for the International Sale of Goods is expressly excluded.